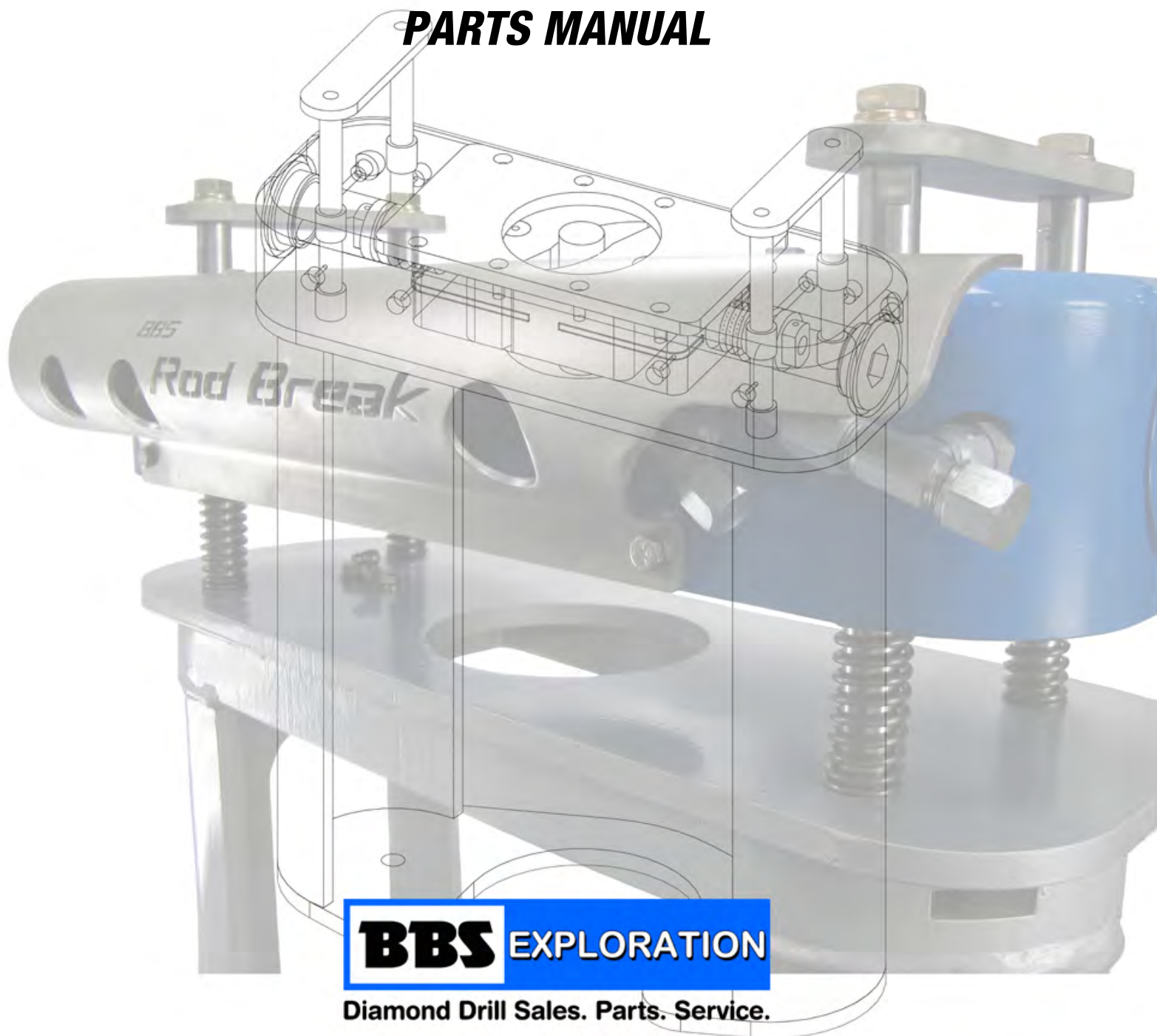


**BBS**

EXPLORATION

**ROD BREAK SYSTEM**

## **PARTS MANUAL**

**BBS** EXPLORATION

Diamond Drill Sales. Parts. Service.

**111 Bannister Road**  
**Winnipeg, Manitoba**  
**Canada, R2R 0P2**  
**[www.bbsexploration.com](http://www.bbsexploration.com)**

**t: 1-204-632-0639**  
**f: 1-204-632-0171**



Edition 1.2-2013

**PARTS BREAK DOWN For Assembly RBS09000-12HH - ROD BREAK ASSEMBLY KIT**

**For Assembly RBS09000 - ROD BREAK ASSEMBLY**

Reference #	Part Number	Description	Required Qty	Unit	Figure #	Page #
<b>ROD BREAK ASSEMBLY</b>						
1	RBS09001	ROD BREAK HOUSING	1	EA	1-1	2
2	RBS09002	ACTUATOR PISTON	2	EA	1-1	2
3	RBS09003	ACTUATOR SHAFT	2	EA	1-1	2
4	RBS09004	ACCESS COVER	1	EA	1-2	2
5	RBS09005	O-RING, ACTUATOR SHAFT	2	EA	1-2	2
6	RBS09006	JAW RETAINING PIN	2	EA	1-1	2
7	RBS09007	END PLUG c/w o-ring	2	EA	1-2	2
8	RBS09009	BUSHING, GUIDE PIN	8	EA	1-1	2
9	RBS09012	SCREWS, SHCS ACCESS COVER	8	EA	1-2	2
10	RBS09013	SET SCREW	4	EA	1-2	2
11	RBS09014	SEAL, ACTUATOR PISTON	2	EA	1-1	2
12	RBS09015	WIPER SEAL, ACTUATOR SHAFT	2	EA	1-1	2
13	RBS09016	GLAND SEAL, ACTUATOR SHAFT	2	EA	1-1	2
14	5200800	1/8 GREASE FITTING	8	EA	1-1	2
15	RBS09040	JAW ASSEMBLY, ROD BREAK	2	EA	1-1	2
16	RBS09020	GUARD, HOSE	1	EA	1-4	4
17	RBS09021	HYDRAULIC LINE (TUBING) SHORT	1	EA	1-5	4
18	RBS09022	HYDRAULIC LINE (TUBING) LONG	1	EA	1-6	4
19	RBS09023	TEE, ADAPTER	1	EA	1-7	4
20	RBS09024	TEE, ADAPTER	1	EA	1-8	4
21	RBS09025	ADAPTER	2	EA	1-9	4
22	RBS09026	ADAPTER	1	EA	1-10	4
23	RBS09027	ADAPTER	1	EA	1-11	4
24	RBS09028	ADAPTER, CAP	2	EA	1-12	4
25	RBS09029	ADAPTER, PLUG	4	EA	1-13	4

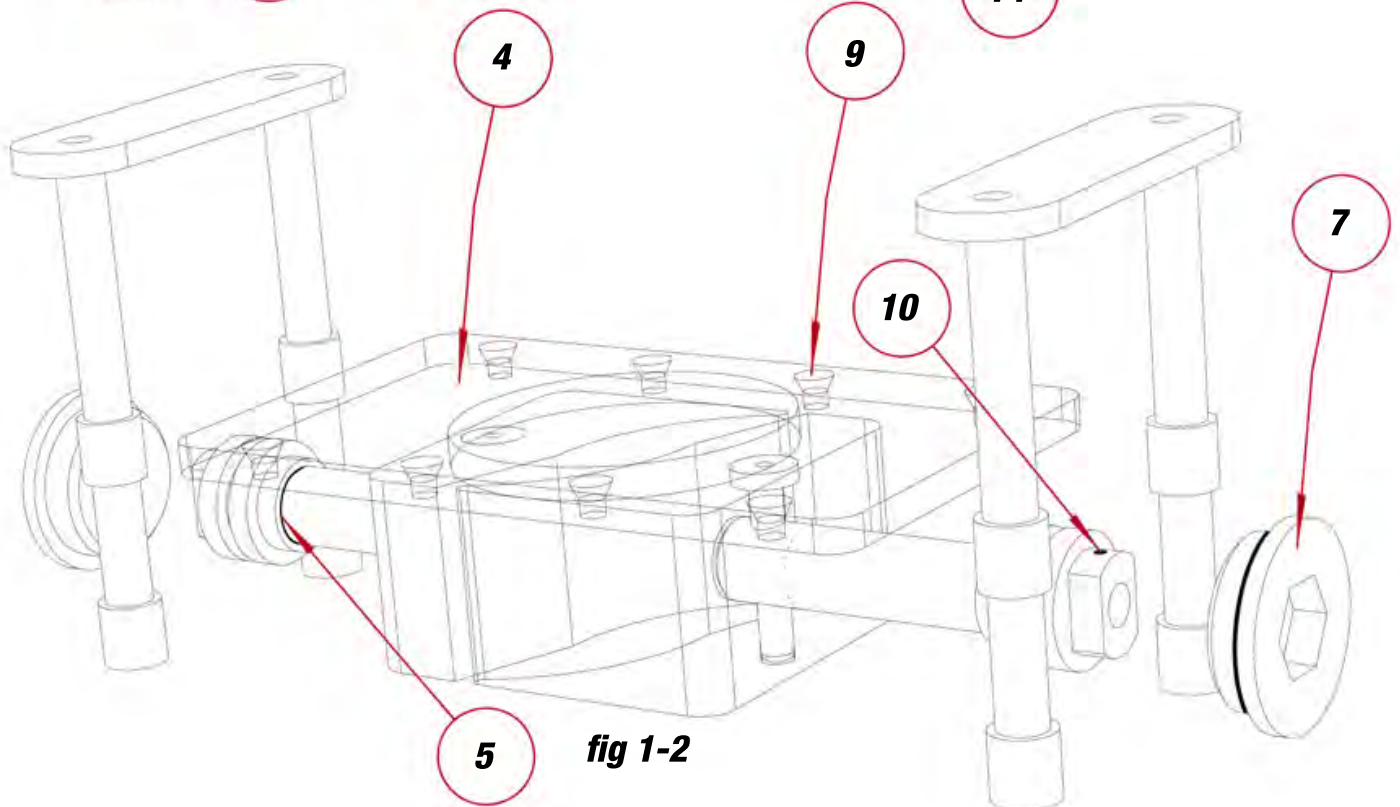
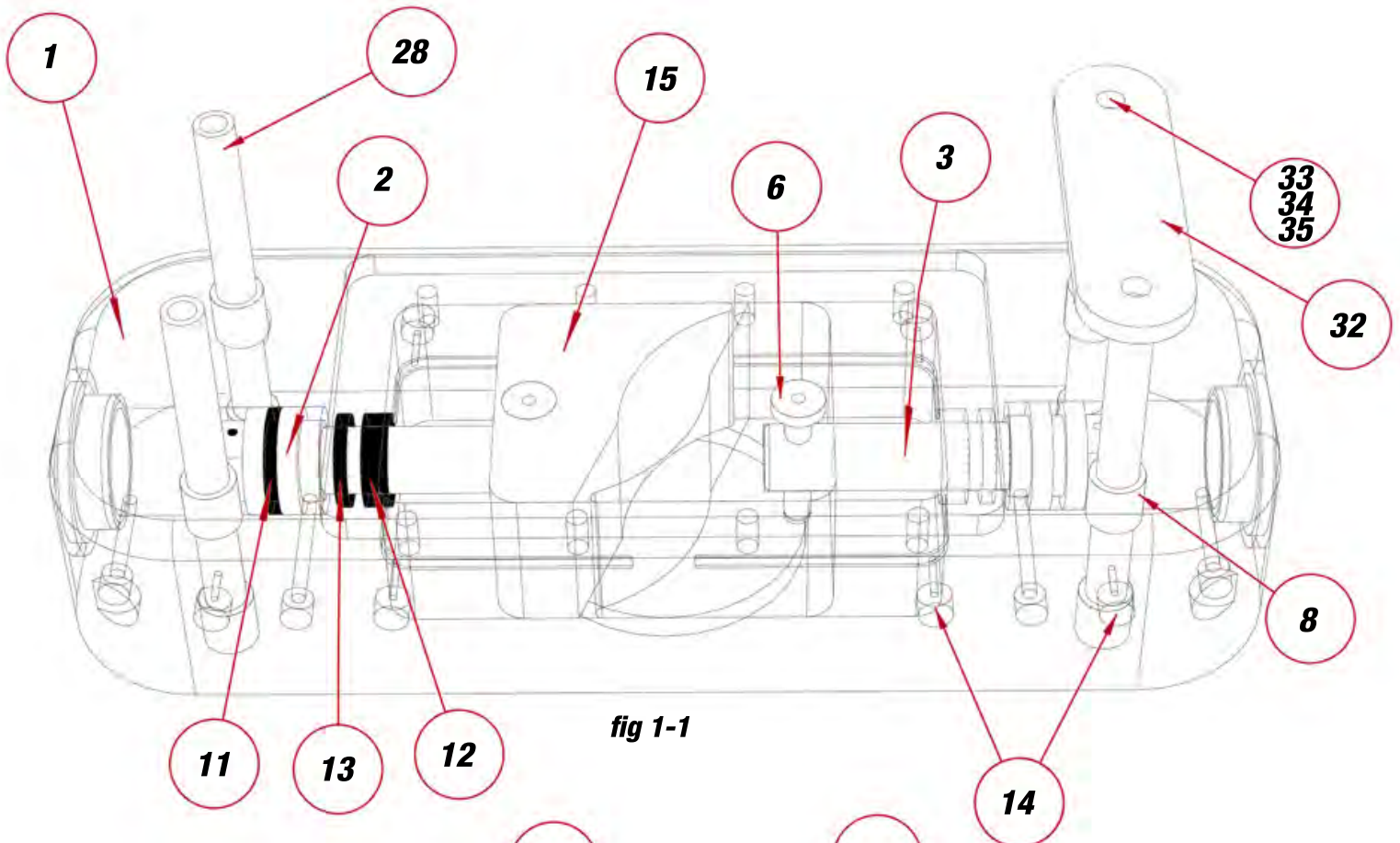
\*\*\* See page 6 for RBS09040 - ROD BREAK JAW ASSEMBLY PARTS BREAKDOWN\*\*\*

**For Assembly RBMB091200 - MOUNT ASSY, 12HH SUPPORT**

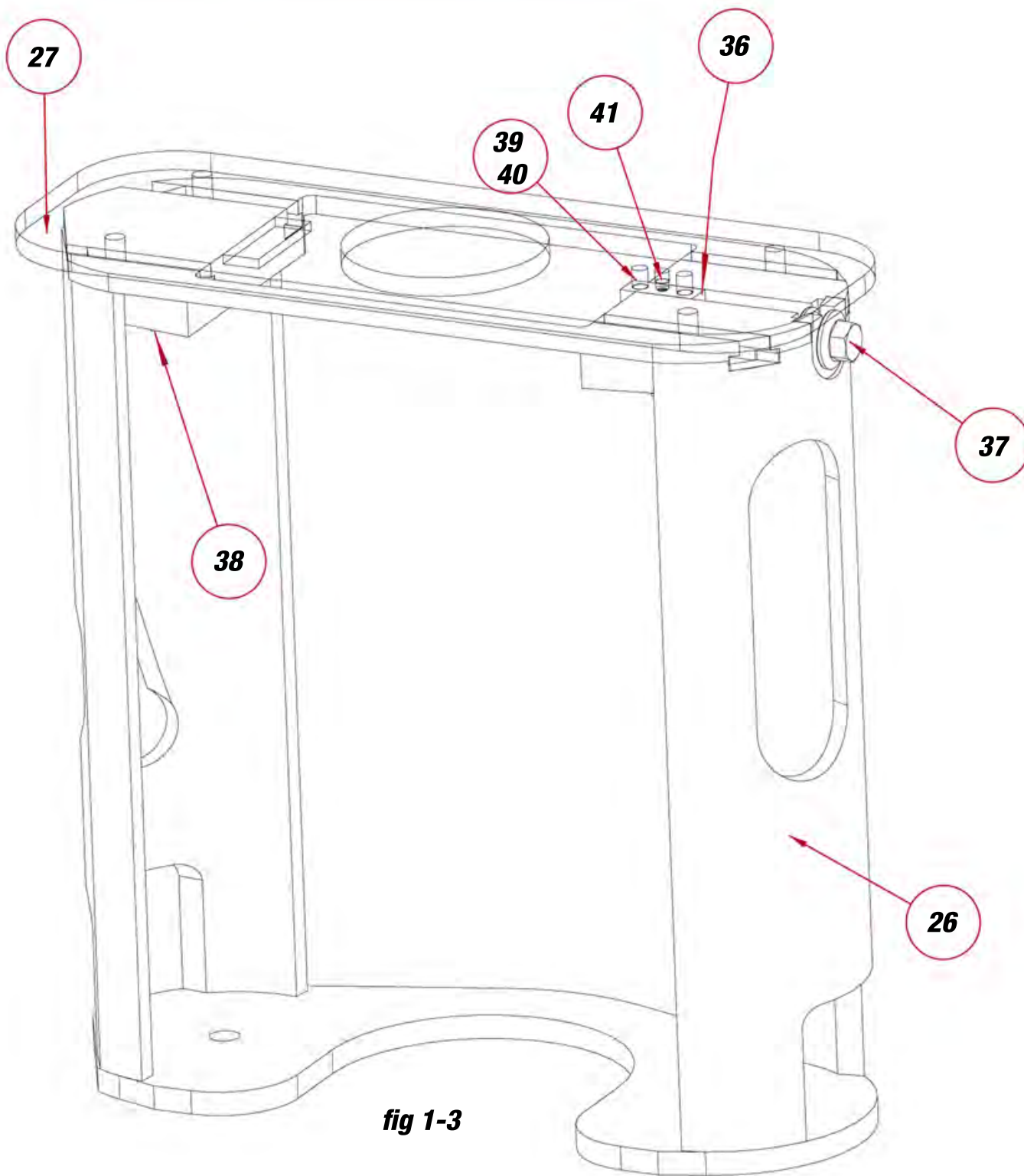
Reference #	Part Number	Description	Required Qty	Unit	Figure #	Page #
<b>MOUNT ASSY, 12HH SUPPORT</b>						
26	RBMB091201	MOUNTING FRAME	1	EA	1-3	3
27	RBMB091202	MOUNTING PLATE, TOP (Rev 2)	2	EA	1-3	3
28	RBS09044	GUIDE PIN (supersedes RBS09008)	4	EA	1-1	2
29	RBS09017	SPRING, TENSION	4	EA	1-14	4
30	2970079	PLATE, GAUGE ADAPTER	1	EA	1-15	4
31	RBS09030	HOSE, 12" HYDRAULIC	2	EA	1-4	4
32	RBS09010	SUPPORT, GUIDE PIN	2	EA	1-1	2
33	5115003	HHCS 1/2"-13 UNC X 1 1/2"	4	EA	1-1	2
34	5180208	FW 1/2"	4	EA	1-1	2
35	5180508	LW 1/2"	4	EA	1-1	2
36	RBMB091225	NUT, SLIDING	1	EA	1-3	3
37	RBMB091227	BOLT, ADJUSTER	1	EA	1-3	3
38	5200800	1/8 GREASE FITTING	4	EA	1-3	3
39	5103503	HHCS 3/8"-16 UNC X 7/8"	2	EA	1-3	3
40	5180506	LW 3/8"	2	EA	1-3	3
41	5200803	1/8 GREASE FITTING 90 DEG	1	EA	1-3	3
42	5101403	Hose Guard Mounting bolts	4	EA	not shown	n/a
43	5180504	LW 1/4"	4	EA	not shown	n/a

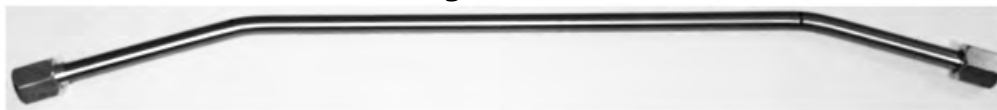
\*\*\*\* Please see page 5 for maintenance kits listings \*\*\*\*

Assembly# RBS09000



Assembly# RBMB1200

**fig 1-3**

**fig 1-4****fig 1-5****fig 1-6****fig 1-7****fig 1-10****fig 1-13****fig 1-8****fig 1-11****fig 1-14****fig 1-9****fig 1-12****fig 1-15**

## RBS09000SK - KIT, ROD BREAK SEAL

Kit #	Description	Req Qty	Unit
RBS09000SK	KIT, ROD BREAK SEAL	1	EA
Contents			
RBS09013	SET SCREW	2	EA
RBS09014	SEAL, ACTUATOR PISTON	1	EA
RBS09015	WIPER SEAL, ACTUATOR SHAFT	1	EA
RBS09016	GLAND SEAL, ACTUATOR SHAFT	1	EA
RBS09005	O-RING, ACTUATOR SHAFT	1	EA

\*\*\*\* Seal kit services only one side of the Rod Break unit, Please order 2 kits if wanting to service the Rod Break complete \*\*\*\*

## RBS090000HK - CYLINDER KIT, ROD BREAK

Kit #	Description	Req Qty	Unit
RBS090000HK	CYLINDER KIT, ROD BREAK	1	EA
Contents			
RBS09002	ACTUATOR PISTON	1	EA
RBS09003	ACTUATOR SHAFT	1	EA
RBS09007	END PLUG c/w o-ring	1	EA
RBS09013	SET SCREW	2	EA
RBS09014	SEAL, ACTUATOR PISTON	1	EA
RBS09015	WIPER SEAL, ACTUATOR SHAFT	1	EA
RBS09016	GLAND SEAL, ACTUATOR SHAFT	1	EA
RBS09005	O-RING, ACTUATOR SHAFT	1	EA

\*\*\*\* Cylinder kit services only one side of the Rod Break unit, Please order 2 kits if wanting to service the Rod Break complete \*\*\*\*

## RBS09000PBK - KIT, PIN AND BUSHING

Kit #	Description	Req Qty	Unit
RBS09000PBK	KIT, PIN AND BUSHING	1	EA
Contents			
RBS09044	GUIDE PIN	4	EA
RBS09009	BUSHING, GUIDE PIN	8	EA

\*\*\*\* This kit replaces all guide pins and guide bushings \*\*\*\*

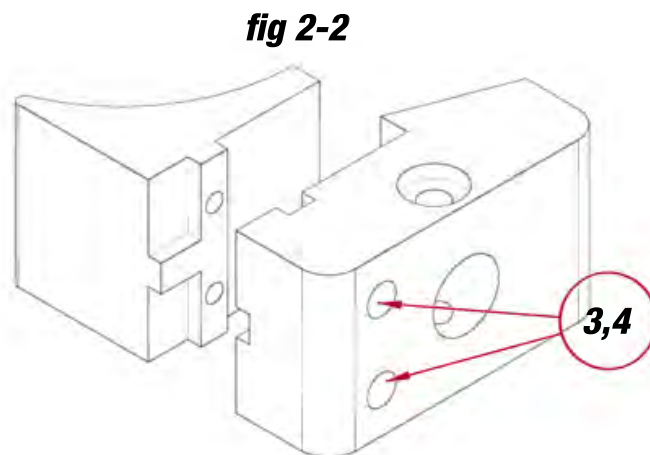
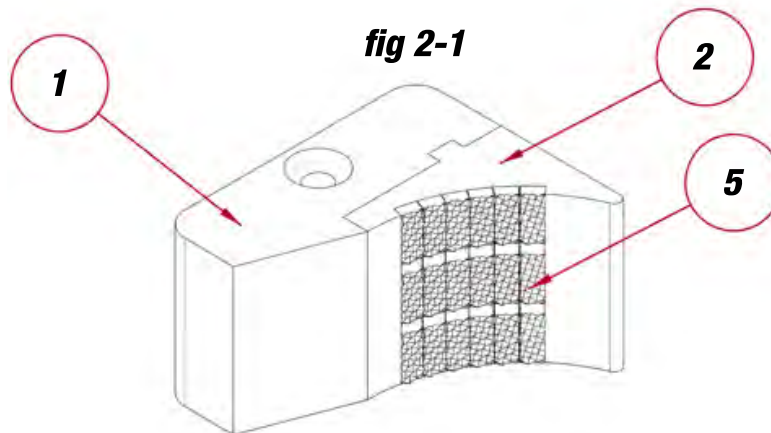
## RBS09040 - ROD BREAK JAW ASSEMBLY PARTS BREAKDOWN

RBS09040 - ROD BREAK JAW ASSEMBLY (SUPERSEDES OLD PART#RBS09019-6TPI)

Reference #	Part Number	Description	Required Qty	Unit	Figure #	Page #
		<b>ROD BREAK JAW ASSEMBLY</b>				
1	RBS09041	ROD BREAK JAW, BASE ONLY	1	EA	2-1	6
2	RBS09043	JAW INSERT, CARBIDE	1	EA	2-1	6
3	5113049	SHCS 3/8"-24 UNF X 1 1/2"	2	EA	2-2	6
4	5180406	HCLW 3/8 " HIGH COLLAR LOCK WASHER	2	EA	2-2	6
5	5160786	CARBIDE INSERT, REPLACEMENT	18	EA	2-1	6

\*\*Required quantity reflects only for one complete jaw assembly\*\*

\*\*\*RBS09043 comes with 18 (5160786) carbide inserts already installed\*\*\*



**BBS**

EXPLORATION

**ROD BREAK SYSTEM**



[www.bbsexploration.com](http://www.bbsexploration.com)