



BBS EXPLORATION

BBS-25 PARTS MANUAL



NOTES

2426100

BBS25 - BASE DRILL

PART#	DESCRIPTION	QTY
1148017	1/2" REMOVABLE CLEVIS ASSEMBLY	1
1148088	1/2" X 65' - HOIST CABLE	1
2147007	FRONT END ASSEMBLY 25T/29T - 1.16:1	1
2217274	BBS25 "A"BRACKET	1
2225039	HYD. COMPONENTS TO SWIVELHEAD	1
2225060	THROTTLE CONTROL GROUP	1
2225069	HYDRAULIC TANK ASSEMBLY	1
2225083	ELECTRICAL GROUP BBS37/25	1
2225085	BASIC HYDRAULIC GROUP	1
2225086	FUEL TANK - 15 GALLON	1
2225705	ENGINE GROUP- DEUTZ F4L912	1
2226826	DRIVE TRAIN - DEUTZ 12" CLUTCH	1
2226841	FRAME ASSEMBLY	1
2226984	BASE DRILL - CONTROL VALVE	1
2247015	CLUTCH CONTROL GROUP	1
2247257	VARIABLE TACH DRIVE ASSEMBLY C/W MOUNT	1
2326014	MAIN HOIST - BBS25	1
3506822	HYDRAULIC COMPONENTS TO HYDRAULIC CHUCK	1

2147007**FRONT END ASSY- 1.16:1**

ITEM	PART #	DESCRIPTION	QTY	FIGURE REFERENCE #
1	2145102	37 FRONT END HOUSING (CAST)	1	
2	2126146	BEARING HOUSING- FRONT END	1	
3	5113016	SHCS 3/8- 16 UNC x 1-1/2 LG	6	
4	5000195	BEARING- FAG 6311 2RSR	1	
5	2147127	BEVEL GEAR TAB WASHER	1	
6	2147128	BEVEL GEAR LOCKING PLATE	1	
7	2147126	BEVEL GEAR DRIVESHAFT	1	
8	2147129	BEVEL GEAR KEY	2	
9	5103649	SHCS 3/8- 24 UNF x 1 LG	14	
10	2126145	FRONT CASTING HUB	1	
11	5000091	BEARING- SKF 6214 RS	2	
12	5113149	SHCS 3/8-24 UNF x 1-3/4 LG	9	
13	5180406	HI COLLAR LOCKWASHER	18	
14	2145101	MAINSHAFT SPROCKET 29T	1	
15	2145144	MAINSHAFT	1	
16	2117184	BEARING SHIELD	1	
17	5200075	1/8 PIPE PLUG	2	
18	2117183	SPROCKET COVER	1	
19	5101436	HHCS 1/4-28 UNF x 3/4 LG	16	
20	5180504	LOCKWASHER- 1/4	19	
21	2117192	GASKET- SPROCKET COVER	1	
22	5172116	NYLOCK 1" 14 UNF	1	
23	5180030	THRUST WASHER	1	
24	2145111	TAILSHAFT SPROCKET 25T	1	
25	5070027	WOODRUFF KEY 3/8 x 2-1/8	1	
26	2145126	TAILSHAFT	1	
27	5010113	BEARING- SKF NJ310ECP	1	
28	2145105	TAILSHAFT BEARING HOUSING	1	
29	2117111	GASKET- TAILSHAFT BEARING HOUSING	1	
30	5000151	BEARING- SKF 3208	1	
31	5050315	SNAP RING- TRUARC N5000315	1	
32	5040177	OIL SEAL	1	
33	2145119	BOTTOM FLANGE COVER	1	
34	5200078	STEEL PIPE PLUG 1/2 NPT	1	
35	2145120	GASKET- BOTTOM FLANGE COVER	1	
36	2145108	INSPECTION AND FILL COVER	1	
37	2701118	OIL FILLER/ BREATHER PLUG	1	
38	2145107	GASKET- INSPECTION AND FILL COVER	1	
39	5180505	LOCKWASHER- 5/16	4	
40	5102436	HHCS 5/16-24 UNF x 3/4 LG	4	
41	2117119	REAR BEARING HOUSING COVER	1	
42	5101316	SHCS 1/4-20 UNC x 5/8 LG	3	

2147007**FRONT END ASSY- 1.16:1**

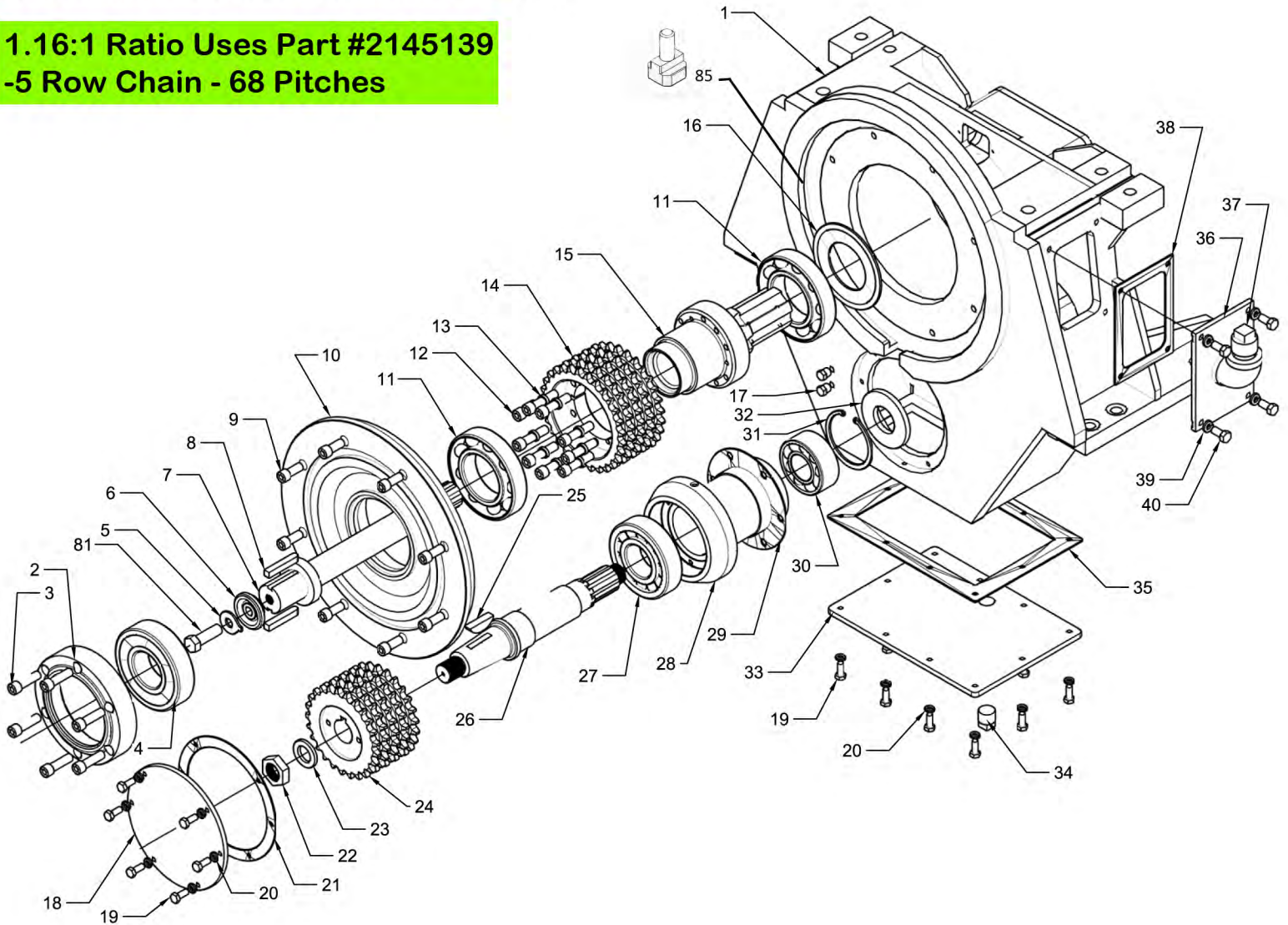
ITEM	PART #	DESCRIPTION	QTY	FIGURE REFERENCE #
43	5171308	CASTLE NUT 1/2-20 UNF	1	
44	2117333	STUD- SECURE WITH LOCTITE	1	
45	5221042	COTTER PIN- 1/8 x 1 LG	1	
46	2247216	RETAINER	1	
47	5180043	1" BELLE VILLE WASHER	1	
48	5050131	SNAP RING- TRUARC N5000131	1	
49	2126143	SPACER- FRONT END	2	
50	5000205	BEARING- SKF 6208 2RS	1	
51	2126144	SPLINED COUPLING	1	
52	2126141	REAR BEARING HOUSING	1	
53	5103449	SHCS 3/8-24 UNF x 3/4 LG	3	
54	2117130	HOIST PINION	1	
55	2117146	SHIFTER ROD	1	
56	2147145	SHIFTER COLLAR	1	
57	3002151	PLUNGER	1	
58	3002152	PLUNGER SPRING	1	
59	2117147	LEVER STUD	1	
60	5160069	LOCK NUT- SPECIAL	1	
61	2247248	COMPANION FLANGE	1	
62	2117148	LEVER LATCH	1	
63	2117152	BOLT	1	
64	2145117	HOIST PINION SHIFTER	1	
65	2145118	SHIFTER SUPPORT	1	
66	5103836	HHCS 3/8-24 UNF x 1-1/4 LG	1	
67	5070014	WOODRUFF KEY 1/4 x 1	1	
68	5113236	HHCS 3/8-24 UNF x 2 LG	2	
69	2145116	SHIFTER LEVER	1	
70	5113036	HHCS 3/8-24 UNF x 1-1/2 LG	1	
71	5171006	HN 3/8-24 UNF	3	
72	5180506	LOCKWASHER- 3/8	6	
73	5160054	FLMS 10-24 UNC x 1/2 LG	2	
74	2145122	CONNECTING LINK COVER	1	
75	2145123	GASKET- CONNECTING LINK COVER	1	
76	2145112	IDLER SPROCKET	1	
77	2145135	CHAIN TIGHTENER ECCENTRIC	1	
78	2145125	LOCK- CHAIN TIGHTENER	1	
79	2145136	TIGHTENER GEAR	1	
80	5127536	HHCS 5/8-18 UNF x 6-1/2 LG	1	

2147007**FRONT END ASSY- 1.16:1**

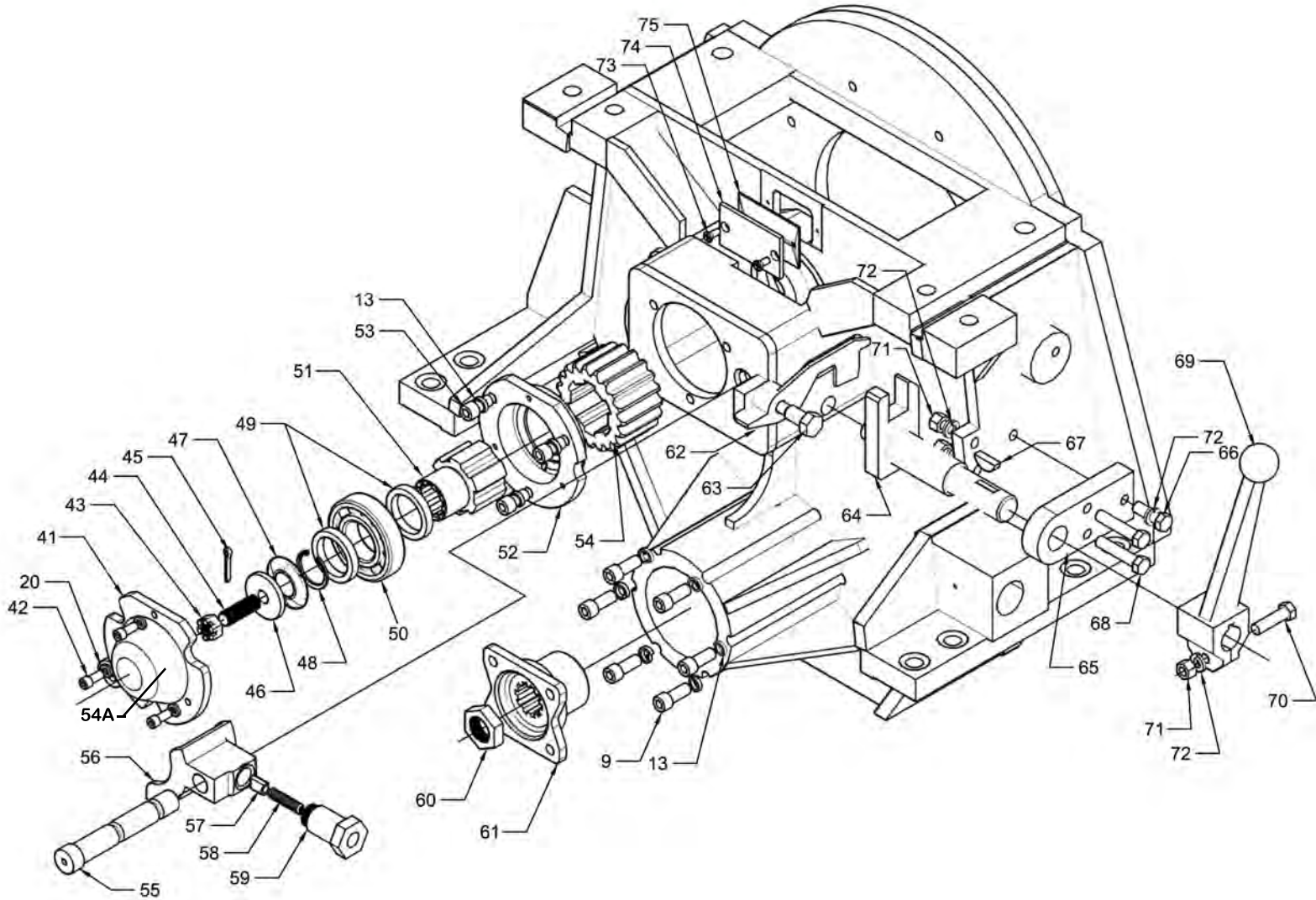
ITEM	PART #	DESCRIPTION	QTY	FIGURE REFERENCE #
81	5105836	HHCS 1/2-13 UNC X 1-1/4 LG	1	
82	5180508	LOCKWASHER - 1/2"	2	
83	2148106	CABLE GUARD	1	
84	5103636	HHCS 3/8-24 UNF X 1 LG	1	
85	3503506	SWIVEL RING BOLT	6	
86	5117403	HHCS 5/8-11 UNC x 2-1/2 LG	8	
77A	5160665	ORING	1	
77B	5160679	ORING	1	
87	5170610	HN 5/8-11 UNC	8	
54A	5200800	GREASE FITTING	1	
	2145139	DRIVE CHAIN- 68 PITCHES	1	
	5200812	GREASE FITTING- 1/4	1	
	5180208	FLAT WASHER 1/2	3	
	2145132	BEVEL GEAR SHIM SET- PINION	1	

#2147007 - FRONT END ASSY - 1.16:1

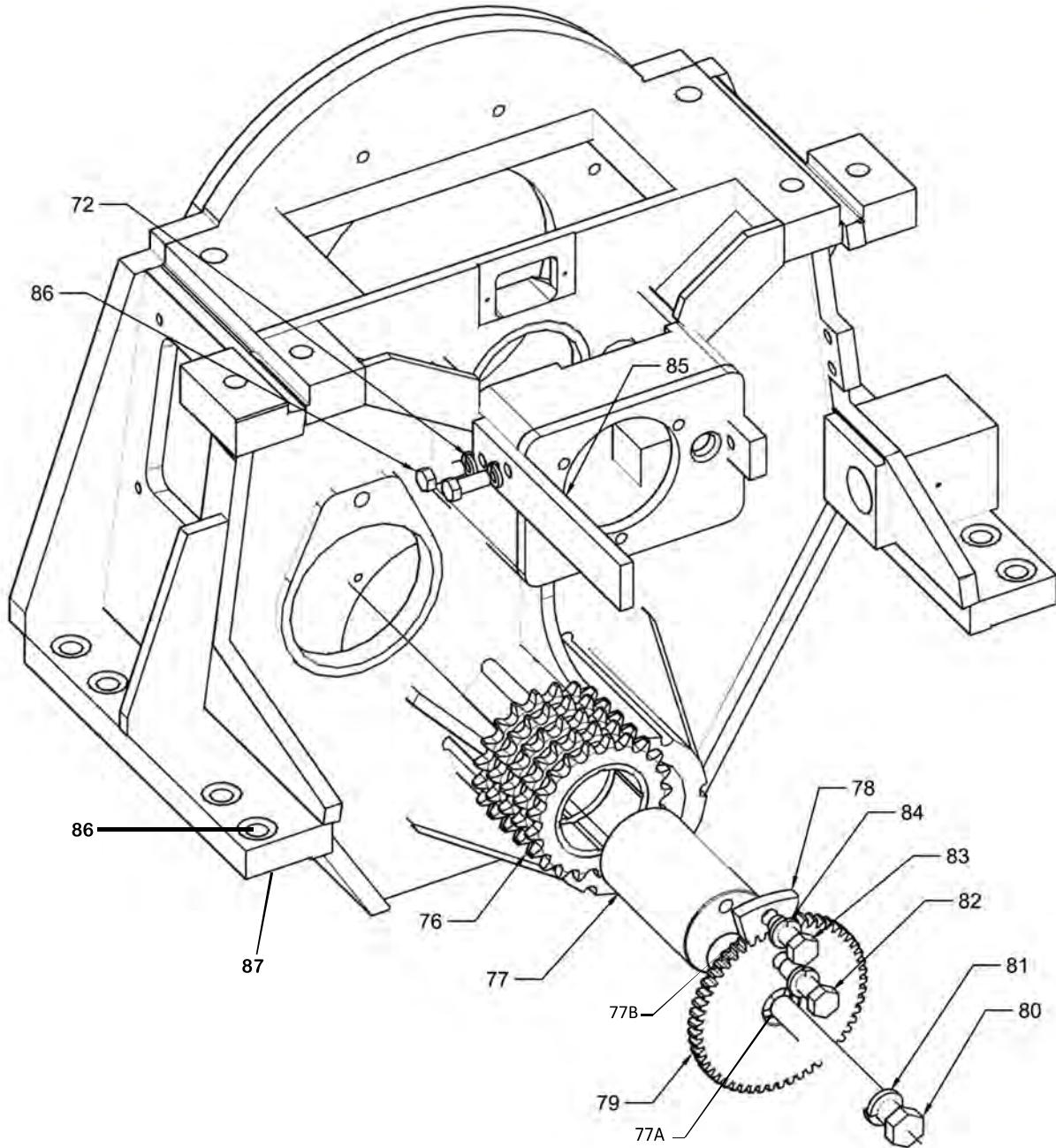
1.16:1 Ratio Uses Part #2145139
-5 Row Chain - 68 Pitches



#2147007 - FRONT END ASSY - 1.16:1



#2147007 - FRONT END ASSY - 1.16:1



2326014

BBS-25 MAIN HOIST ASSEMBLY

ITEM	PART#	DESCRIPTION	QTY
	5180506	3/8" LOCKWASHER	12
	5180507	7/16" LOCKWASHER	12
1	2317126	HOIST SUPPORT	1
1A	2145106	GASKET-HOIST SUPPORT & BG GUARD	1
3	5117003	5/8"-11UNC X 1-1/2" HHCS	2
3A	5180510	5/8" REG LOCKWASHER	2
4	2317112	COVER-HOIST SUPPORT & BG GUARD	1
5	5117403	5/8"-11UNC X 2-1/2"HHCS	4
5A	5170610	5/8"-11 UNC HEX NUT	2
5B	5180510	5/8" REG LOCKWASHER	4
6	2317140	BULL GEAR	1
7	5114236	7/16"-20UNF X 2" HHCS	6
8	5000191	BEARING	2
10	5119103	3/4"-10UNC X 1-3/4" HHCS	2
10A	5180512	3/4" LOCKWASHER	2
11	5202344	HOIST SUPPORT COVER	1
11A	5160005	3/8"-16 UNC WING NUT	2
11B	5180206	3/8" REG FLAT WASHER	2
14	2317103	HOIST DRUM	1
16	5101403	1/4"-20 UNC X 2/4" HHCS	4
16A	5180504	1/4" LOCKWASHER	4
17	2320106	DIFFERENTIAL PINION - HOIST	4
19	2320101	PINION SPINDLE	4
20	5020021	DIFF PINION THRUST WASHER	4
21	2320105	DIFFERENTIAL GEAR - HOIST	2
22	2317139	GEAR AND DRUM HUB	1
24	5104636	7/16"-20UNF X 1"HHCS	6
25	2317101	BRAKE DRUM	2

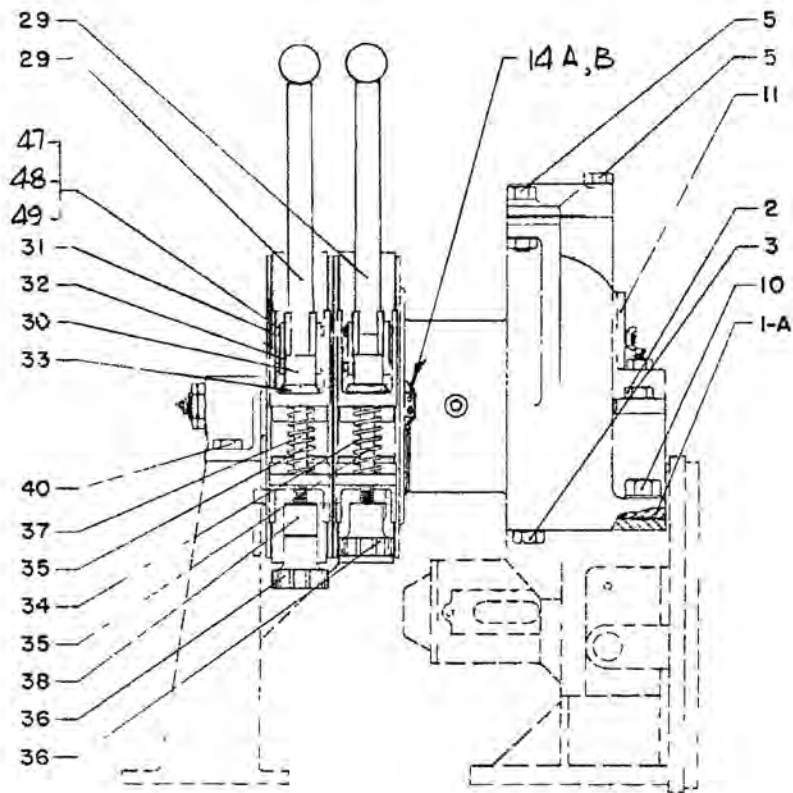
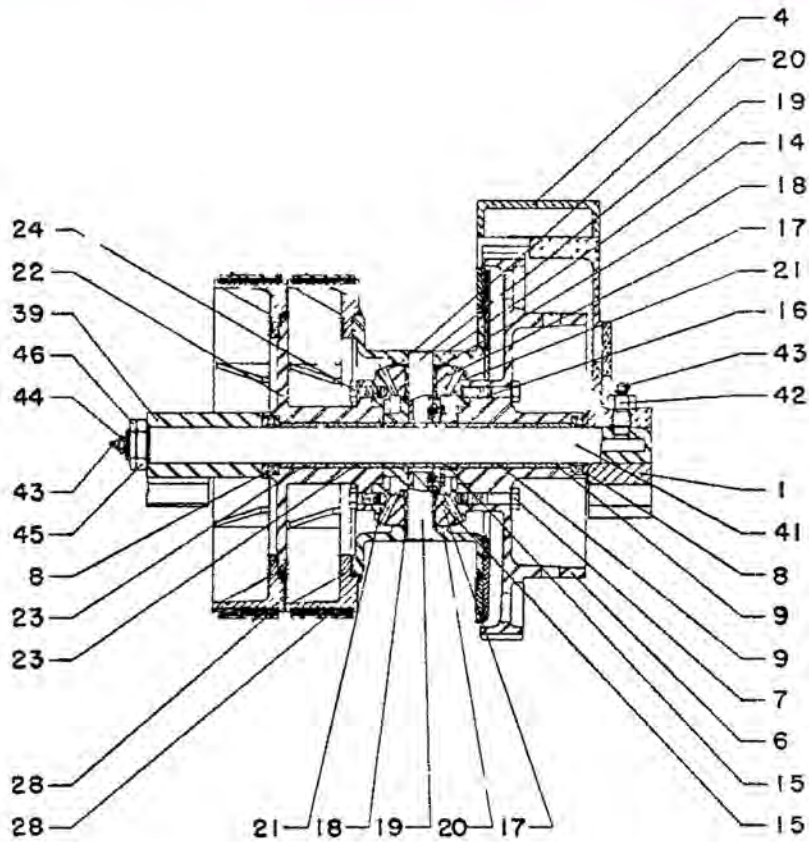
2326014

BBS-25 MAIN HOIST ASSEMBLY

26	5103636	3/8"-24UNF X 1" HHCS	6
27	5103836	3/8"-24UNF X 1-1/4" HHCS	6
27B	5171006	3/8"-24UNF HEX NUT	6
28	2317104	BRAKE BAND ASSEMBLY	2
29	2326202	BRAKE LEVER WELDMENT	2
30	2347148	THRUST BLOCK	2
31	5051062	RETAINING RING	8
32	2347149	LINK	4
33	2317137	BRAKE BOLT WASHER	2
34	2347150	BRAKE BOLT	1
35	2320102	BRAKE LEVER SPRING	2
36	2320123	BRAKE ADJUSTING NUT	2
37	2326201	BRAKE BOLT	1
38	2317116	NUT SPACER- BRAKE BOLT	1
39	2317102	HOIST SHAFT SUPPORT	1
40	5119203	3/4"-10UNC X 2" HHCS	2
40A	5171412	3/4"-10UNC HEX JAM NUT	2
40B	5180512	3/4" LOCKWASHER	2
41	2317109	HOIST SHAFT	1
42	2317108	HOIST SHAFT LOCATING BOLT	1
43	5200803	1/8" GREASE FITTING 90 DEGREE	1
43	5200817	90 DEGREE GREASE FITTING	1
44	5201227	REDUCER - NPT/F -NPT	1
45	2303100	HOIST SHAFT NUT	1
46	2303101	SHAFT JAM NUT	1
47	2347154	BRAKE BOLT PIN	2
48	5221032	COTTER PIN 3/32" X 1"	4
49	5180031	WASHER	4

2326014

BBS-25 MAIN HOIST ASSEMBLY



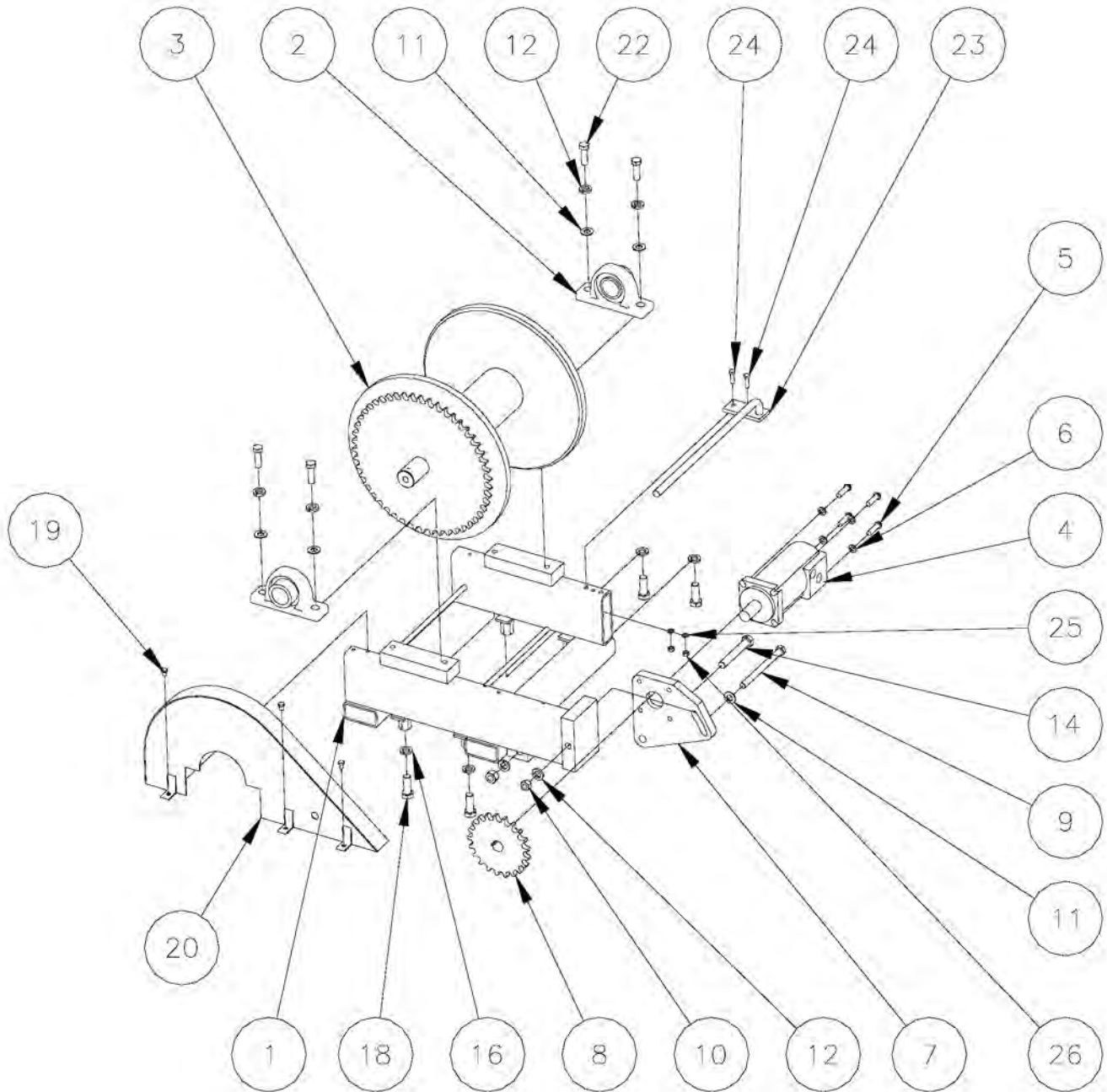
2347012

WIRELINE HOIST - LESS LEVELWIND

ITEM	PART#	DESCRIPTION	QTY	FIGURE REFERENCE
*	2348144	HOIST BASE	1	*
*	5170610	HN 5/8"-11 UNC	4	*
*	5180210	FW 5/8"	8	*
*	5180510	LW 5/8"	8	*
*	2325155	DRIVE CHAIN - 65" LONG	1	*
*	5129203	HHCS 3/4"-10UNC X 5"	1	*
*	5170612	HN 3/4"-10 UNC	1	*
*	5180512	LW 3/4"	5	*
*	5119203	HHCS 3/4"-10UNC X 2"	4	*
*	5103203	HHCS 3/8"-16UNC X 1/2"	3	*
*	5202195	BEARING	2	*
*	2348147	CHAIN GUARD	1	*
*	5117203	HHCS 5/8"-11 UNC X 2"	4	*
*	2347144	SAFETY BAR	1	*
*	5103803	HHCS 3/8"-16 UNC X 1-1/4"	2	*
*	5117103	HHCS 5/8"-11 UNC X 1-3/4"	3	*
*	5170606	HN 3/8"-16 UNC	2	*
*	5180506	LW 3/8"	2	*
*	2348205	WIRELINE HOIST DRUM	1	*
*	5204020	HYDRAULIC MOTOR - WIRELINE	1	*
*	5115136	HHCS 1/2"-20 UNF X 1-3/4"	4	*
*	5180508	LW 1/2"	4	*
*	2347133	PLATE, MOTOR MOUNT	1	*
*	2325156	SPROCKET - 21 TEETH	1	*
*	5127703	HHCS 5/8"-11 UNC X 7-1/2"	1	*
*				*

2347012

WIRELINE HOIST - LESS LEVELWIND



2325014

LEVELWIND ASSEMBLY

ITEM	PART#	DESCRIPTION	QTY	FIGURE REFERENCE
*	2325161	DIAMOND LEAD SCREW	1	*
*	2325166	SPROCKET (TOP)	1	*
*	2325167	WASHER	1	*
*	2325168	HAND WHEEL ASSEMBLY	1	*
*	2325169	FOLLOWER	1	*
*	2325170	GUARD (REAR)	1	*
*	2325172	GUIDE BAR	1	*
*	2325173	FRAME ADAPTER	1	*
*	2325177	ROLLER CHAIN	1	*
*	2325179	DRUM SHAFT EXTENSION	1	*
*	2325189	FRAME ASSEMBLY	1	*
*	2325190	FRAME ADAPTER	1	*
*	2325192	ACCESS COVER	1	*
*	5000213	BEARING	2	*
*	5051300	SNAP RING - TRU ARC 5100-300	1	*
*	5080312	SQUARE KEY 3/16"X 3/4"	1	*
*	5202621	SPROCKET - 11 TEETH	1	*
*	5103631	CB 3/8"-16 UNC X 1"	4	*
*	5170606	HN 3/8"-16UNC	8	*
*	5222636	ROLL PIN 3/8" X 2-1/4"	1	*
*	5105803	HHCS 1/2"-13UNC X 1-1/4"	2	*
*	5170608	HN 1/2"-13 UNC	2	*
*	5180508	LW 1/2"	2	*
*	2325162	TRAVEL BLOCK	1	*
*	5160187	SHOULDER BOLT 5/8"X 1"	1	*
*	5113703	HHCS 3/8"-16 UNC X 3-1/4"	1	*
*	5180206	FW 3/8"	6	*
*	5160039	1/4"-20 UNC WING NUT	2	*
*	5103603	HHCS 3/8"-16 UNC X 1"	10	*
*	5180506	LW 3/8"	15	*
*	2970003	LEVEL WIND GUIDE BUSHING ASSY	1	*
*	2325191	CHAIN GUARD	1	*
*	5200520	COMPRESSION SPRING	1	*
*	5051100	SNAP RING - TRU ARC 5100-100	1	*

1699012

20' STEEL MAST ASSEMBLY

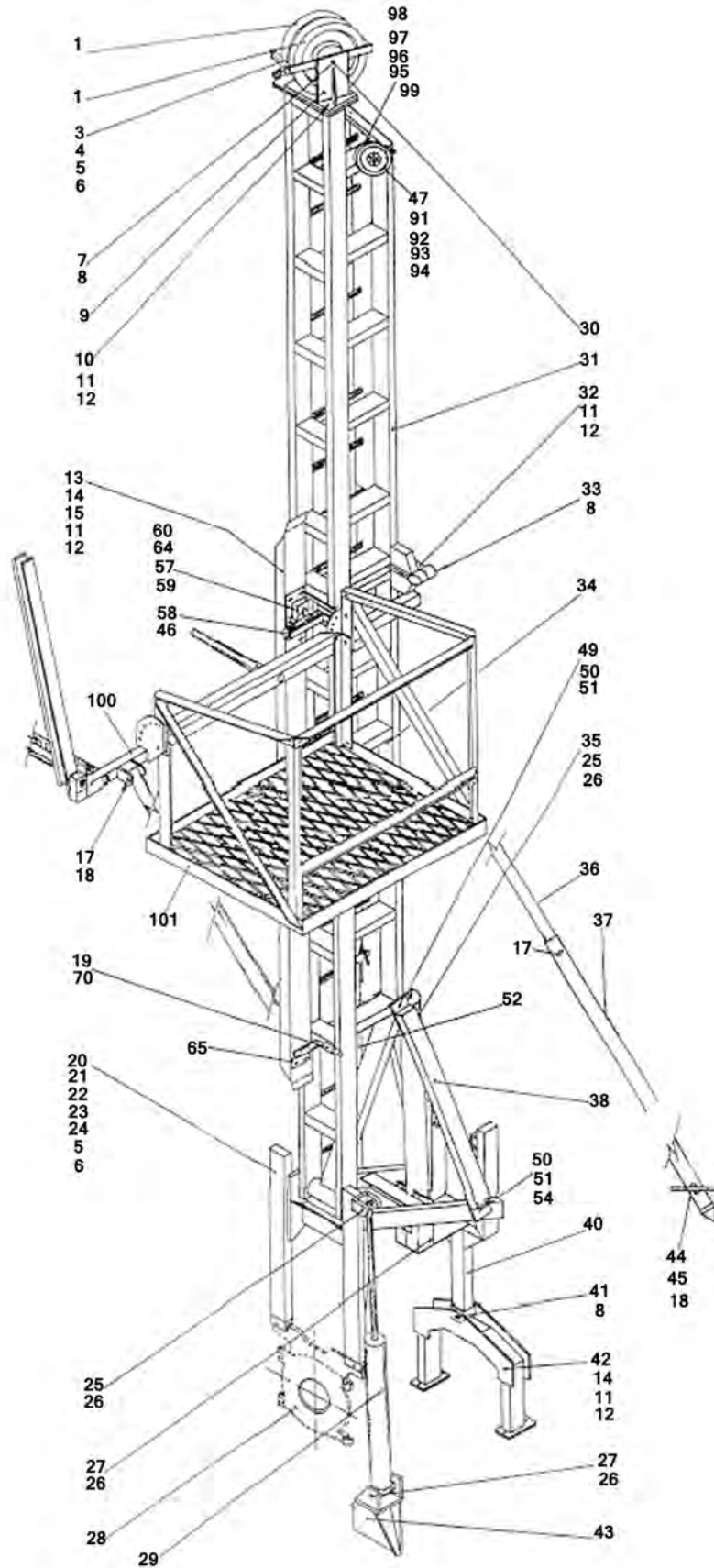
ITEM	PART#	DESCRIPTION	QTY	FIGURE REFERENCE
*	1699001	COMMON PARTS GROUP	1	N/A
*	1699005	ROD SLIDE ASSEMBLY	1	N/A
*	1698690	TOP SECTION	1	N/A
*	1698711	BOTTOM SECTION	1	N/A
*	1699009	20' MAST LEG ASSEMBLY	2	N/A
*	1698689	MAST SUPPORT	2	N/A
*	1698710	MAST BASE - BBS25/37/56	1	N/A
*	1698462	MAST TILTING PIVOT PIN	1	N/A
*	1698456	MAST MOUNTING BRACKET	1	N/A
*	5141836	HHCS 1-1/4 UNF X 3-1/2 LG	2	N/A
*	1699003	ROD RACK ASSEMBLY	1	N/A
*	2970127	WORK PLATFORM	1	N/A

1699001

20' STEEL MAST ASSEMBLY

ITEM	PART#	DESCRIPTION	QTY	FIGURE REFERENCE
*	5330017	PLATE	1	
*	5330018	PLATE	1	
1	1118408	16" Sheave Pulley	2	
3	1698616	SPACER	2	
4	5123403	HHCS 3/8-16 UNC X 6LG	2	
5	5170606	HN 3/8-16 UNC	4	
6	5180506	REG. LOCKWASHER - 3/8 ID	4	
7	1698587	SHEAVE PIN 1-1/2"X 7-1/4 LG	1	
8	5222448	SPRING PIN- 1/4"X3 LG	6	
9	1698687	SHEAVE FRAME	1	
10	5117303	HHCS 5/8-11 UNC X 2-1/4 LG	6	
11	5170610	HN 5/8"-11UNC	16	
12	5180510	REG. LOCKWASHER - 5/8ID	16	
20	1698652	PIN 2"X17- 1/4" LG	1	
22	5117503	HHCS 5/8-11 UNC X 2-3/4"LG	4	
23	5113003	HHCS 3/8-16 UNC X 1-1/2"LG	2	
24	5123203	HHCS 3/8"-16UNC X 5"LG	2	
25	1698683	PIN 1-1/4"X 4-3/4" LG	2	
26	5222432	SPRING PIN -1/4"X2"LG	8	
27	1698684	PIN 1-1/4"X7"	2	
29	5202284	HYDRAULIC CYLINDER	1	
32	5117203	HHCS 5/8"-11 UNC X 2LG	6	
35	1698738	HYDRAULIC CYL MAST RAISE	1	
47	2222210	MOVING SHEAVE	1	
49	5151436	HHCS 1-1/4" UNS X 6 LG	1	
50	5171316	HN 1" 12 UNF	3	
51	5180516	REG LOCKWASHER - 1"ID	3	
52	1698701	LADDER DETACHABLE SECTION	1	
71	5290306	90 ELBOW - NPT-8/JIC-6	2	
73	2225215	HOSE ASSY 3/8" ID X 69" LG	2	
74	5290307	90 ELBOW-NPT-6/JIC-6	2	
75	5201625	NEEDLE VALVE	2	
76	5290407	ELBOW 45-NPT-6/JIC-6	2	
77	5211702	HD PIPE NIPPLE- 3/8 NPT	2	
78	5201228	REDUCER-NPT-8/F-NPT-2	4	
79	2225251	HOSE ASSY 3/8"ID X 123" LG	1	
80	2225250	HOSE ASSY 3/8"ID X 90"LG	1	
91	5115503	HHCS 1/2-13 UNC X 2-3/4"LG	1	
92	5170608	HN 1/2"-13UNC	1	
93	5180508	REG LOCKWASHER - 1/2"ID	1	
94	1698739	SPACER TUBE	1	
95	1698783	SHEAVE BRACKET	1	
96	1698784	BOLTING BAR	1	
97	5125003	HHCS 1/2"-13UNC X 4" LG	2	
98	5180208	FLAT REG WASHER -1/2"	2	
99	5170908	HN 1/2"-13 UNC	2	

20' PULL MAST ASSEMBLY - BBS 25/37/56



20' PULL - STEEL MAST ASSEMBLY BBS 25/37/56

1698738**HYDRAULIC CYLINDER - MAST RAISE**

ITEM	PART#	DESCRIPTION	QTY	FIGURE REFERENCE
*	1698669	SPACER	1	*
*	5203027	HYDRAULIC CYL - MAST RAISE	1	*

1699005**ROD SLIDE ASSEMBLY**

ITEM	PART#	DESCRIPTION	QTY	FIGURE REFERENCE
*	5170610	HN 5/8"-11 UNC	4	*
*	5180510	REG LOCKWASHER - 5/8" ID	4	*
*	1698704	ROD SLIDE NB1	1	*
*	5127603	HHCS 5/8"-11 UNC X 7" LG	4	*
*	5180210	FLAT REGULAR WASHER - 5/8"	2	*
*	1698705	LOCK	1	*
*	1698706	ROD SLIDE SUPPORT	1	*
*	1698707	SWIVEL JOINT	1	*
*	1698708	PIN (1-5/8" DIA X 10" LG)	1	*
*	5221084	COTTER PIN - 1/4" X 2" LG	1	*
*	5180226	FLAT REGULAR WASHER 1- 5/8"	1	*
*	1698736	PIVOT BRACKET	1	*
*	1698737	LOCK BRACKET	1	*
*	5103631	CB 3/8"-16 UNC X 1"LG	6	*
*	5180506	REG LOCKWASHER - 3/8" ID	6	*
*	5180206	FLAT REGULAR WASHER - 3/8"	6	*
*	5170606	HN 3/8"-16 UNC	6	*
*	5221044	COTTER PIN - 1/8" X 2" LG	1	*
*				*

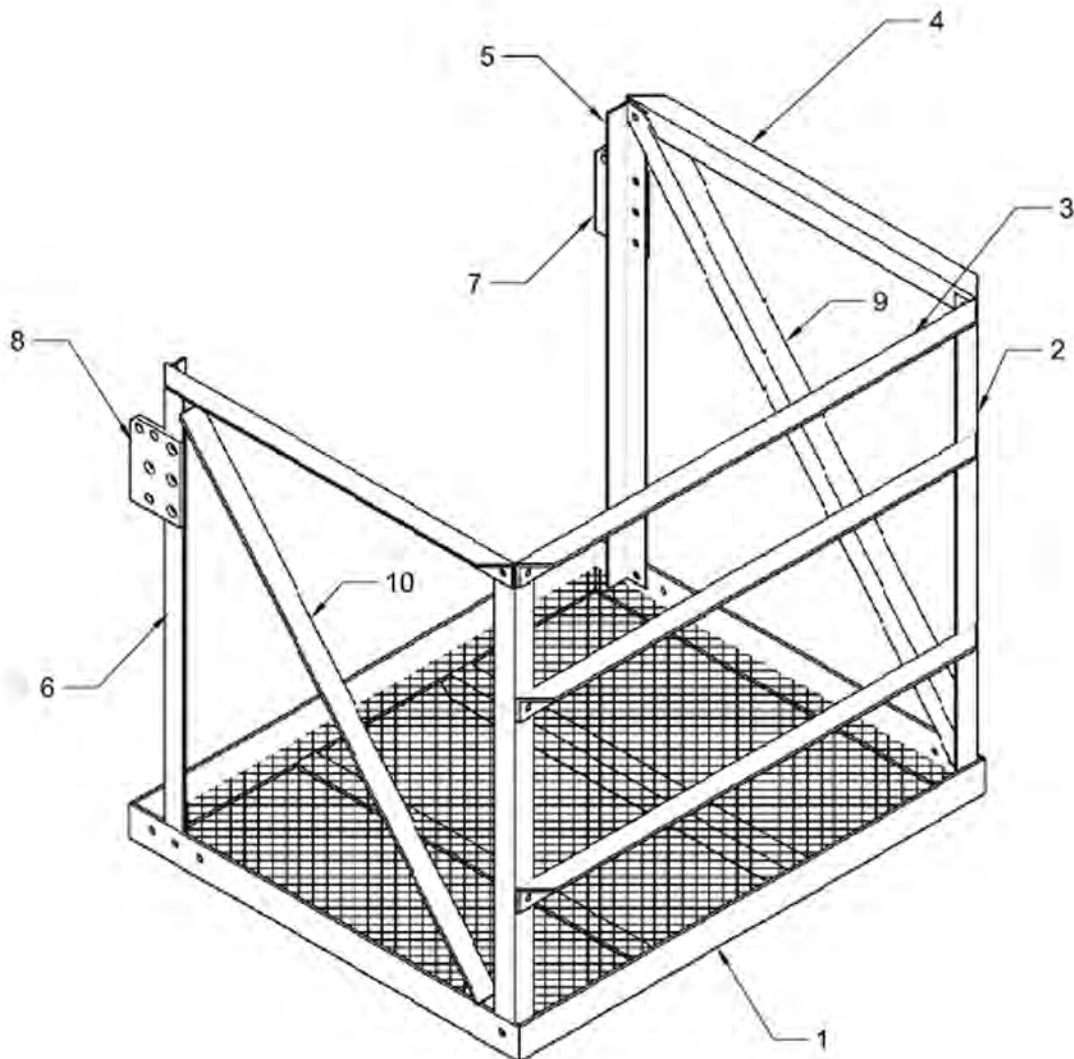
1699003**ROD RACK ASSEMBLY**

ITEM	PART#	DESCRIPTION	QTY	FIGURE REFERENCE
*	1698717	ROD RACK NB1	1	*
*	1698699	ROD DIVIDER	9	*
*	5127403	HHCS 5/8"-11 UNC X 6 LG	1	*
*	5160143	5/8"-11 UNC X 9" LG HHCS	2	*
*	5170610	HN 5/8"-11 UNC	3	*
*	5180510	REG LOCKWASHER- 5/8" ID	3	*
*	5113203	HHCS 3/8-16 UNC X 2"LG	1	*
*	5170906	HN 3/8-16 UNC	1	*
*	1698727	ROD SUPPORT PIPE	1	*
*	5221085	COTTER PIN - 1/4" X 2-1/2"	1	*

2970127

WORK PLATFORM - ALUMINUM

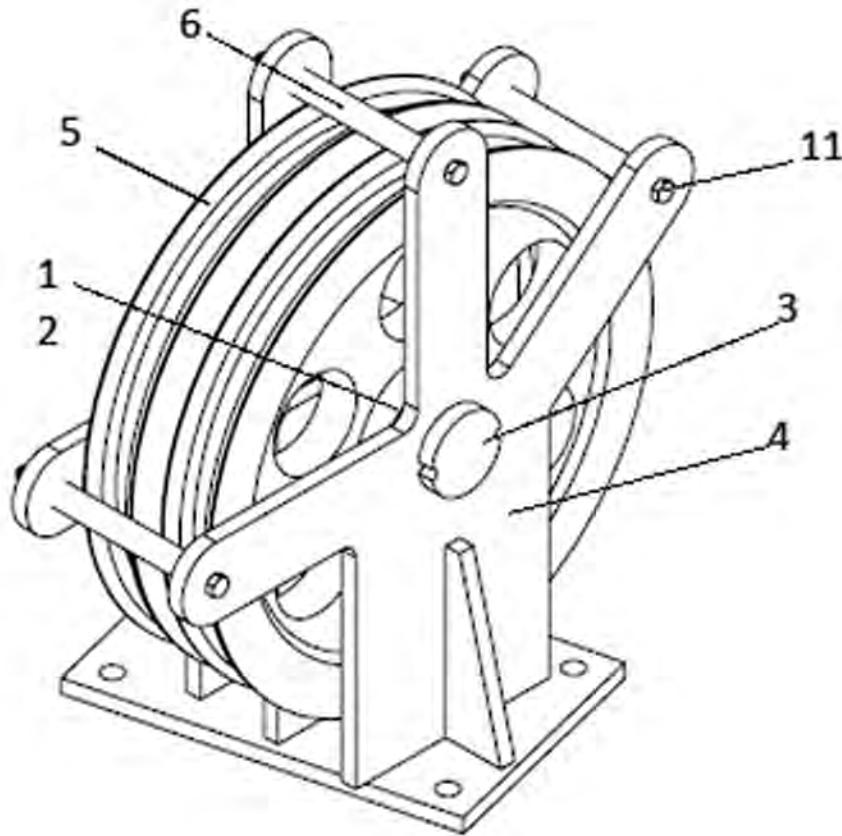
ITEM	PART#	DESCRIPTION	QTY	FIGURE REFERENCE
1	1698761	PLATFORM	1	*
2	2970127-3	FRONT CORNER POST	2	*
3	2970127-4	CROSS RAIL	3	*
4	2970127-5	TOP RAIL	2	*
5	2970127-6	CORNER POST RR, LH	1	*
6	2970127-7	CORNER POST RR,LH	1	*
7	2970127-8	PLATFORM SUPPORT LH	1	*
8	2970127-9	PLATFORM SUPPORT RH	1	*
9	2970127-10	CROSS BAR LH	1	*
10	2970127-11	CROSS BAR RH	1	*



2970030

SHEAVE PULLEY ASSEMBLY

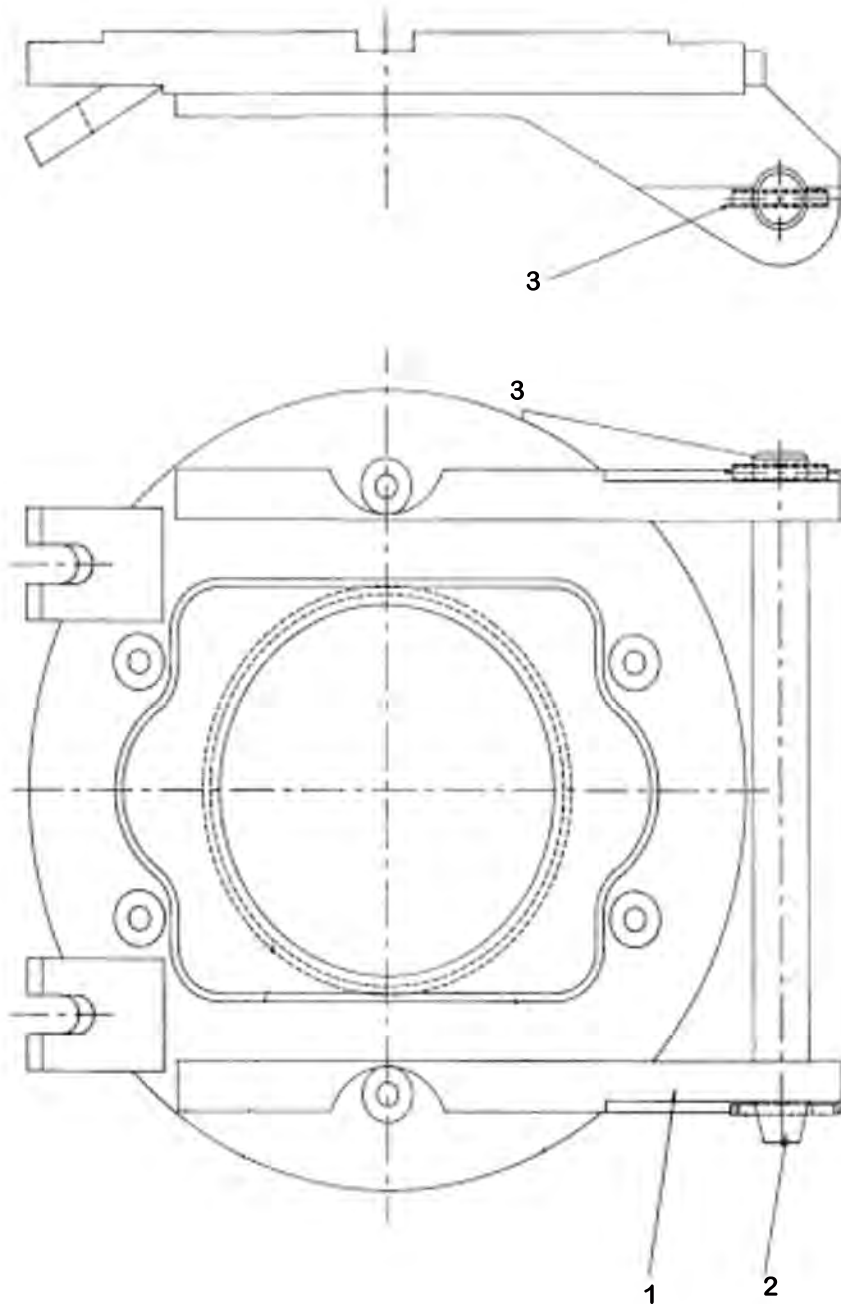
ITEM	PART#	DESCRIPTION	QTY	FIGURE REFERENCE
1	5160801	NARROW OUTER RACE BEARING	4	*
2	5160802	NARROW INNER RACE BEARING	4	*
3	2970030-1	SHEAVE PIN	1	*
4	2970030-2	SHEAVE WHEEL FRAME	1	*
5	2970030-3	SHEAVE WHEEL	2	*
6	2970030-4	CABLE RETAINER / SPACER TUBE	3	*
7	5180206	FW 3/8"	8	*
8	5180506	LW 3/8"	2	*
9	5160297	NYLOCK 3/8"-16 UNC	3	*
10	5103603	HHCS 3/8"-16 UNC X 1"	2	*
11	5160510	HHCS 3/8"-16 UNC X 7"	3	*



3506073

12HH SWIVELRING ASSEMBLY

ITEM	PART#	DESCRIPTION	QTY	FIGURE REFERENCE
1	3506073-1	SWIVELRING ONLY	1	*
2	3505039	HINGE PIN	1	*
3	5221063	COTTER PIN- 3/16" x 1-1/2"	1	*



12HH SWIVEL HEAD COMMON PARTS

ITEM	PART#	DESCRIPTION	QTY	PAGE#
1	3508010	DRIVE TUBE BUSHING RETAINER	1	1
2	3506564	12HH SWIVELHEAD HOUSING ASSY	1	18-19
3	3506555	12HH THRUST YOKE HOUSING	1	17
12HH CHUCK ASSEMBLY				
△	3506840	12HH CHUCK ASSY - 10 DEGREE - 12 SPRING	1	3-5
	3506841	12HH CHUCK ASSY - 10 DEGREE - 18 SPRING	1	6-8
	3506980	12HH CHUCK ASSY - 12.5 DEGREE - 18 SPRING	1	9-11
CYLINDER ASSEMBLY				
△	3508598	CYLINDER ASSY - 2.5" x 40" STROKE 35HH (SPECIAL ORDER)	2	12
	3508501	CYLINDER ASSY - 2.5" x 24" STROKE 35HH	2	13
	3508507	CYLINDER ASSY - 2.5" x 24" STROKE 35HH	2	14
	3506500	CYLINDER ASSY - 1.5 x 24" STROKE 12HH	2	15
	3506501	CYLINDER ASSY - 1.5" x 30" STROKE 12HH	2	16
DRIVE TUBES				
△	3506101	DRIVE TUBE - 40" STROKE -6 KEY (SPECIAL ORDER)	1	1
	3506004	DRIVE TUBE - 30" STROKE -6 KEY	1	1
	3506028	DRIVE TUBE - 24" STROKE - 6 KEY	1	1
7	3506041	DRIVE SLEEVE KEY	3	1
8	3505051	CYLINDER SPACER SET	8	1
SWIVEL HEAD GUARD ASSEMBLY				
△	3508523	12HH SW HD GUARD ASSY 40" STROKE (SPECIAL ORDER)	1	1
	3506574	12HH SW HD GUARD ASSY 30" STROKE	1	1
	3506573	12HH SW HD GUARD ASSY 24" STROKE	1	1
HYDRAULIC COMPONENTS - FAST RETRACT ASSEMBLY				
△	3506557	HYDRAULIC COMPONENTS AND FAST RET-24" (OEM MNT)	1	1
	3506559-V1	HYDRAULIC COMPONENTS AND FAST RET-30"(OEM MNT)	1	1
	3506559-V2	HYDRAULIC COMPONENTS AND FAST RET-30 (REMOTE MNT)	1	1

Additional Component Options

ITEM	PART#	DESCRIPTION	QTY	PAGE#	FIG#
DRIVE TUBE BUSHING					
A	3504151	DRIVE TUBE BUSHING - AW/AQ/AWL ROD	1		
	3504154	DRIVE TUBE BUSHING - BW/BQ/BWL ROD	1		
	3504159	DRIVE TUBE BUSHING - BW CSG/NQ/NWL ROD	1		
12HH CHUCK JAW SET - 10 DEGREE					
B	3506851	CHUCK JAW SET - AW/AWL ROD	1		
	3506853	CHUCK JAW SET - BW ROD	1		
	3506854	CHUCK JAW SET - BWL ROD	1		
	3506858	CHUCK JAW SET - BW CSG	1		
	3506856	CHUCK JAW SET - NW ROD	1		
	3506857	CHUCK JAW SET - NWL ROD	1		
	3506859	CHUCK JAW SET - HW/HWL ROD/NW CSG	1		
12HH CHUCK JAW SET - 12.5 DEGREE					
C	2920391	CHUCK JAW SET - AQ/AWL ROD	1		
	2920392	CHUCK JAW SET - BW/BQ/BWL ROD/AW CSG	1		
	2920395	CHUCK JAW SET - BW CSG	1		
	2920393	CHUCK JAW SET - NW ROD	1		
	2920394	CHUCK JAW SET - NQ/NWL ROD	1		
	2920396	CHUCK JAW SET - HW/HWL/HQ ROD/NW CSG	1		
CHUCK BUSHING					
D	3506861	CHUCK BUSHING - AW/AQ/AWL ROD	1		
	3506865	CHUCK BUSHING - AW CSG	1		
	3506863	CHUCK BUSHING - BW ROD	1		
	3506864	CHUCK BUSHING - BQ/BWL ROD	1		
	3506868	CHUCK BUSHING - BW CSG	1		
	3506866	CHUCK BUSHING - NW ROD	1		
	3506867	CHUCK BUSHING - NQ/NWL ROD	1		
	3506869	CHUCK BUSHING HQ/HW/HWL ROD/NW CSG	1		

3506564**12HH SWIVEL HEAD HOUSING ASSEMBLY**

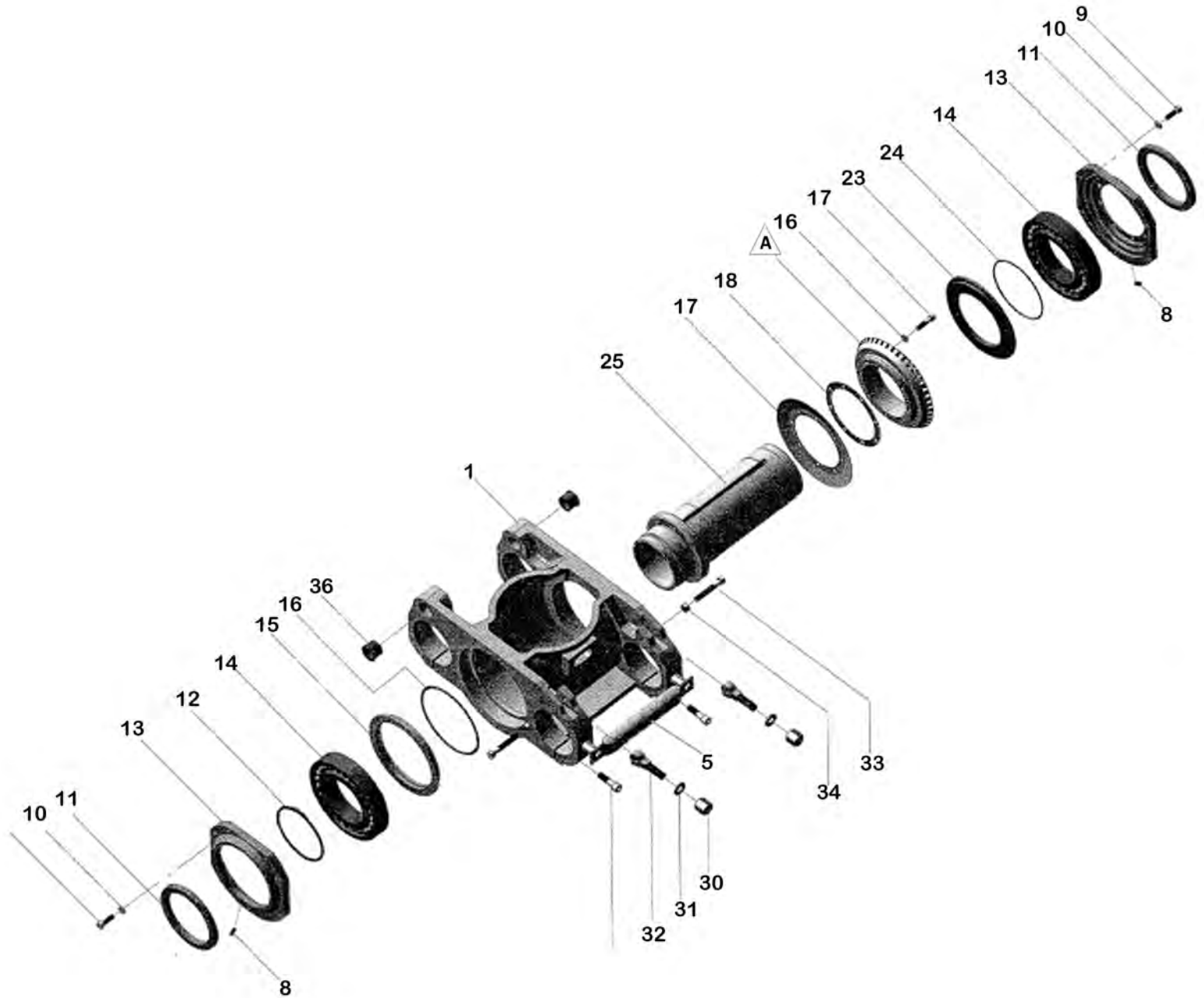
ITEM	PART #	DESCRIPTION	QTY	FIGURE REFERENCE #
1	3506071	SWIVELHEAD HOUSING 12HH	1	
5	3506044	HEAD OPENING HANDLE	1	
8	5200800	1/8" GREASE FITTING	2	
9	5102836	HHCS 5/16-24 UNF X 1 1/4LG	14	
10	5180506	REGULAR LOCK WASHER - 3/8"	14	
11	5040171	OIL SEAL	2	
12	5051525	SNAP RING - TRUARC 5100-525	1	
13	35005022	BEARING COVER	2	
14	5000104	BEARING	2	
15	3506002	LOWER BEARING SPACER	1	
16	5030838	O-RING	1	
17	3506001	BEARING SHIELD	1	
18	3505010	SHIM SET	1	
23	3506011	SPACER	1	
24	5030832	O-RING	1	
25	3506000	DRIVE SLEEVE 12HH	1	
30	5176510	LONG HEX NUT 5/8-11UNC	2	
31	5180032	FLAT WASHER	2	
32	3505077	EYE BOLT	2	
33	5114536	HHCS 7/16-20UNF X 2 3/4 LG	2	
34	5171307	NYLON LOCK NUT 7/16-20UNF	2	
36	5020013	HINGE PIN BUSHING	2	

DRIVE SLEEVE BEVEL GEAR OPTION

3508024	DRIVE SLEEVE BEVEL GEAR 1.48:1	1
3505006	DRIVE SLEEVE BEVEL GEAR 1.8:1	1

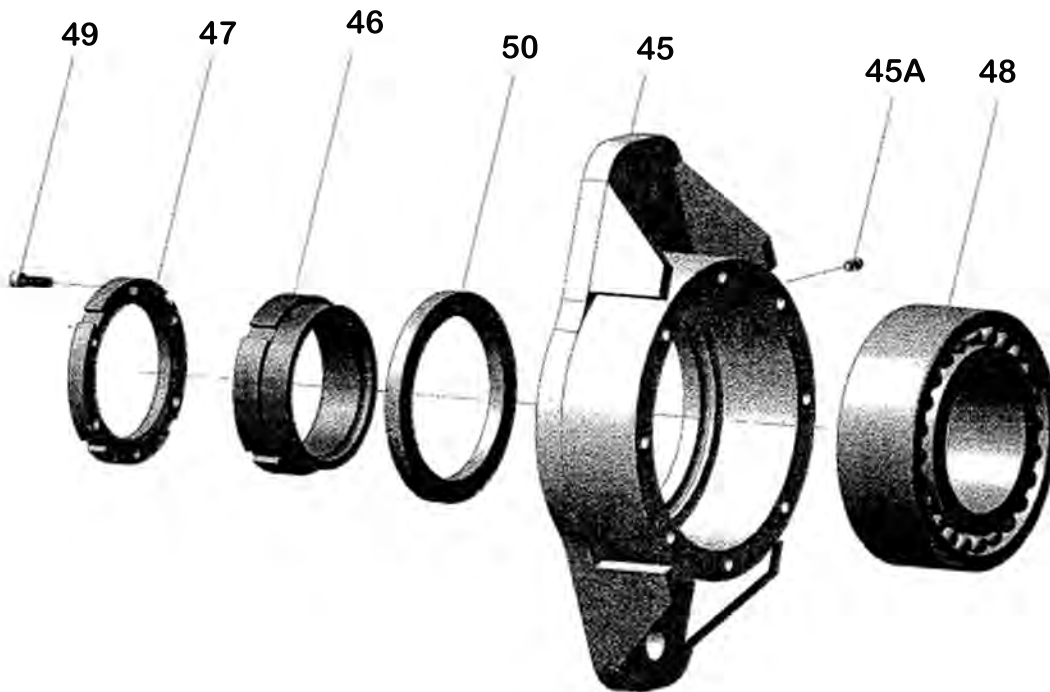
3506564

12HH SWIVELHEAD HOUSING



3506555**THRUST YOKE HOUSING ASSEMBLY**

ITEM	PART #	DESCRIPTION	QTY	FIGURE REFERENCE #
45	3505050	THRUST YOKE HOUSING	1	
45A	5200800	1/8" GREASE FITTING	1	
46	3506006	SPINDLE NUT (WAS BEARING RET.)	1	
47	3506009	SPINDLE LOCK NUT	1	
48	5000162	BEARING	1	
49	5102649	5/16"-24 UNF X 1" LG SHCS	3	
50	5040105	OIL SEAL	1	



3506840
12HH CHUCK ASSY (10DEG)

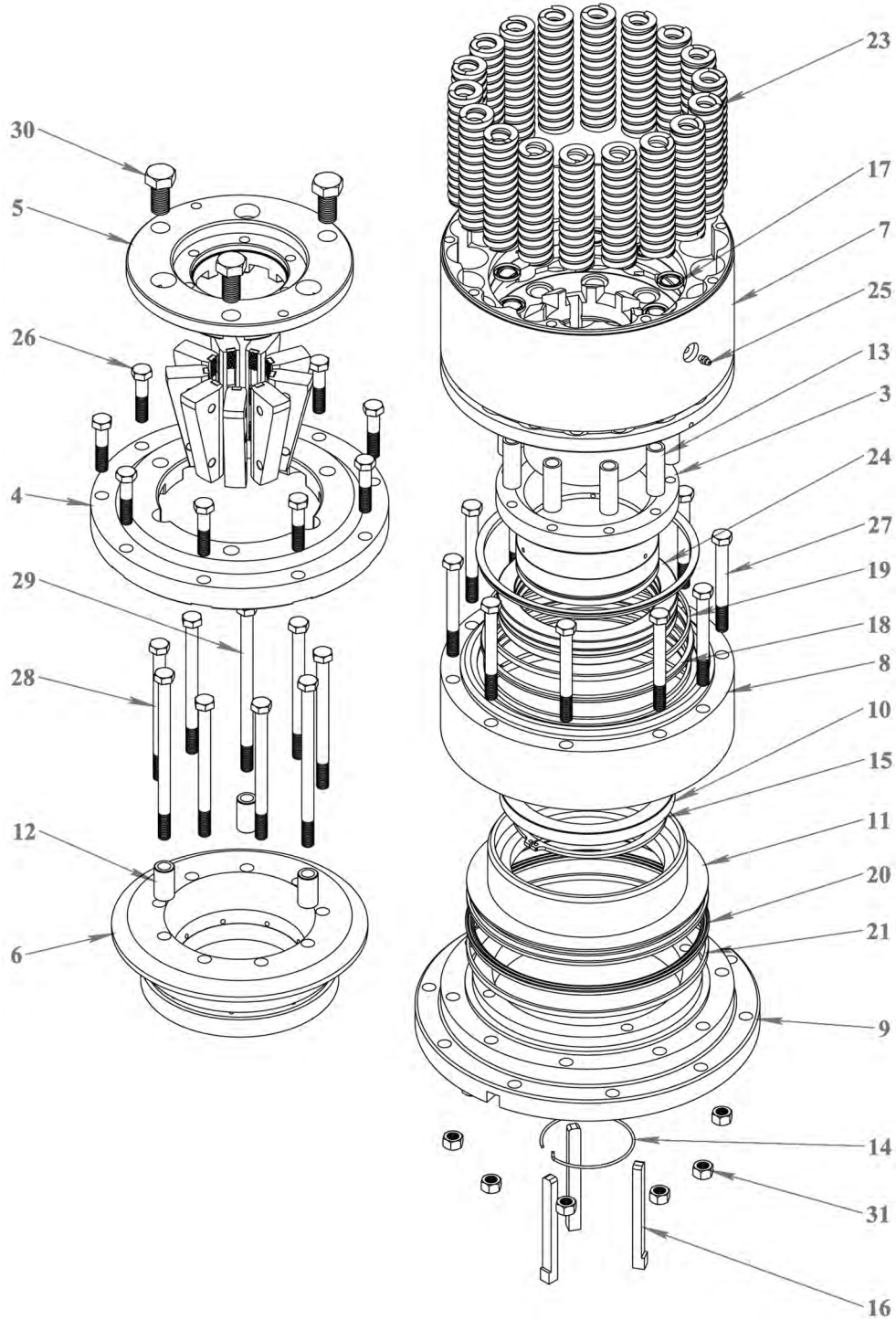
ITEM	PART #	DESCRIPTION	QTY	FIGURE REFERENCE #
3	3506928	Actuator Sleeve	1	
4	3506906	Top Cap Holder	1	
5	3506907	Top Cap Adapter	1	
6	3506872	Chuck Bowl	1	
7	3506870	Chuck Housing	1	
8	3506909	Cylinder	1	
9	3506876	Chuck Adapter	1	
10	3506882	Back Up Ring	1	
11	3506908	Piston	1	
12	3506878	Top Spacer	3	
13	3506880	Bottom Spacer	9	
14	3506879	Key Locking Spring	1	
15	5054078	Retaining Ring	1	
16	3506881	Key	3	
23	5200517	Spring	12	
24	5000199	Thrust Bearing	1	
25	5200812	Grease Fitting Straight, 1/4-28 UNF	1	
26	5115303	Hex Bolt, 1/2-13 UNC X 2-1/4"	9	
27	5125003	Hex Bolt, 1/2-13 UNC X 4"	10	
28	5125503	Hex Bolt, 1/2-13 UNC X 6-1/2"	6	
29	5125803	Hex Bolt, 1/2-13 UNC X 8"	3	
30	5119003	Hex Bolt, 3/4-10 UNC X 1-1/2"	3	
31	5173024	Hex Nut, 1/2-13 UNC	10	
32	5160098	DRIVE SCREW #6 X 1/4 LG	2	
33	5330048	CAUTION PLATE HYD CHUCK	1	
34	5200128	1/4" SOCKET PIPE PLUG DRY	1	
35	5222624	SPRING PIN - 3/8 X 1-1/2"	4	
36	5115003	HHCS 1/2"-13 UNC X 1-1/2"	11	
37	3506896	STEEL SHIMS	1	


12HH CHUCK SEAL KIT - 10 DEGREE #3506577

17	5040192	CR - Radial Shaft Seal	9	
18	5035016	U-Cup Seal	1	
19	5035018	Wear Ring	1	
20	5035015	U-Cup Seal	1	
21	5035017	Wear Ring	1	
22	5041022	V-Ring	1	

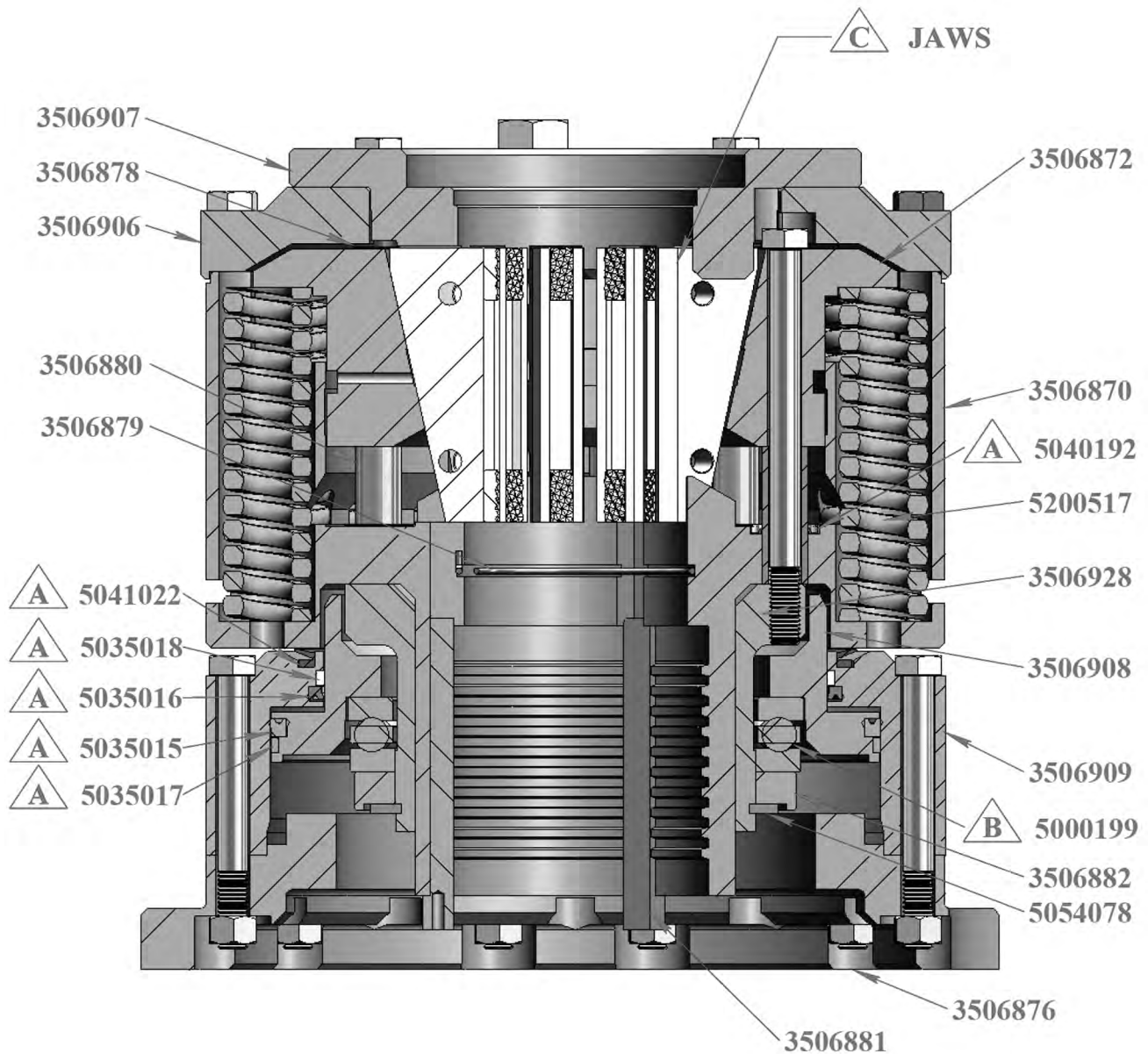
3506840

BBS 12HH CHUCK ASSEMBLY (10DEG) 12 SPRING



3506840

BBS 12HH CHUCK ASSEMBLY (10DEG) 12 SPRING



A - SEAL KIT #3506577 :INCLUDES ITEMS MARKED "A"

B - PACK WITH GREASE BEFORE INSTALLING IN CHUCK ASSEMBLY

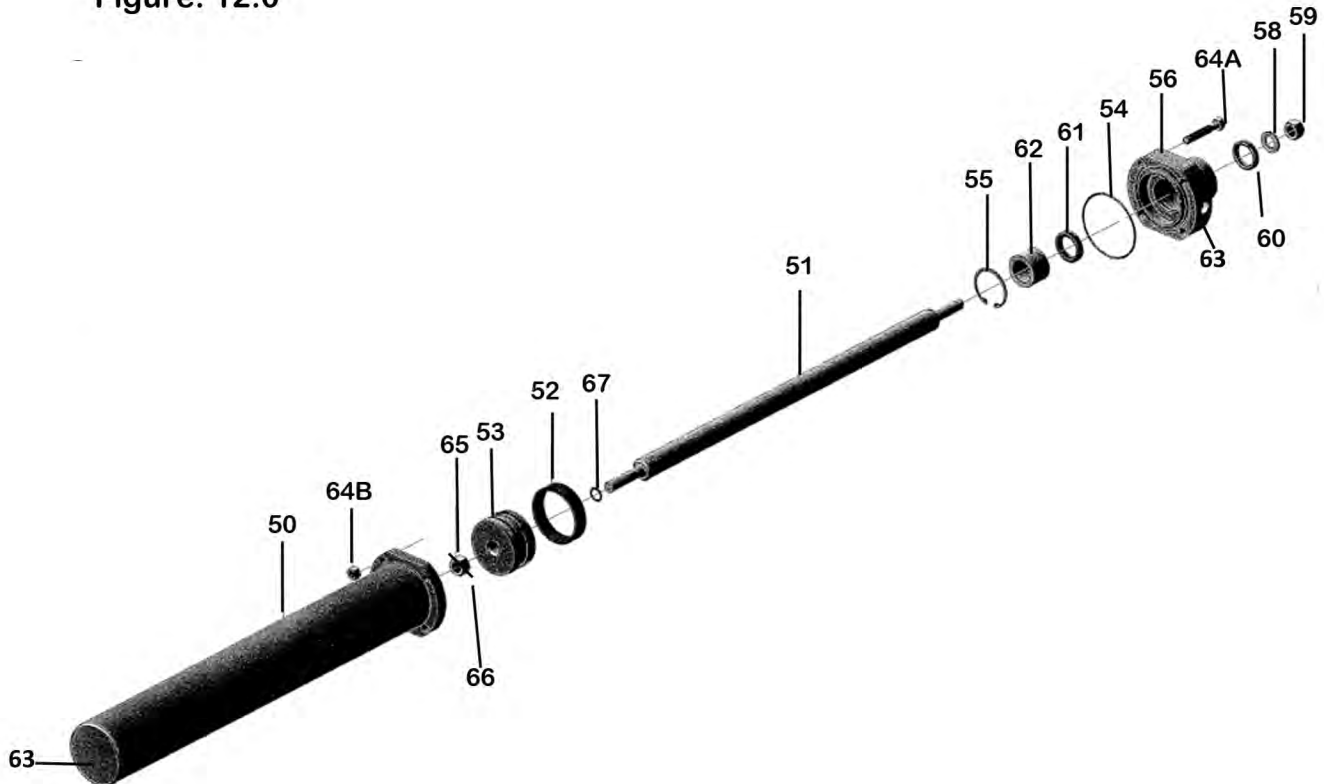
C - JAW SET INCLUDES (9x) MATCHED JAWS SERVICED ONLY IN SETS OF 9

3506501

CYLINDER ASSY - 30" STROKE

ITEM	PART #	DESCRIPTION	QTY	FIGURE REFERENCE #
50	3505026	CYLINDER - 30" STROKE	1	1.0 - 12.0
51	3501079	PISTON ROD - 30" STROKE	1	1.0 - 12.0
52	5041019	DELTA 4" SEAL	1	1.0 - 12.0
53	3506079	PISTON 12HH	1	1.0 - 12.0
54	5030823	O-RING	1	1.0 - 12.0
55	5052282	SNAP RING - TRUARC 5000-225	1	1.0 - 12.0
56	3506076	CYLINDER HEAD 12HH	1	1.0 - 12.0
58	5180212	FLAT REGULAR WASHER - 3/4"	1	1.0 - 12.0
59	5171012	HN 3/4-16 UNF	1	1.0 - 12.0
60	5040032	WIPER - METAL CLAD	1	1.0 - 12.0
61	5040170	OIL SEAL/ HALLPRENER 96782S	1	1.0 - 12.0
62	3505043	PISTON ROD BUSHING 12HH	1	1.0 - 12.0
63	5200125	1/8" SOCKET PIPE PLUG - DRY	2	1.0 - 12.0
64A	5125036	HHCS 1/2-20 UNF X 4LG	4	1.0 - 12.0
64B	5160179	HN 1/2"-20 UNF	4	1.0 - 12.0
65	5176212	HEX SLOTTED NUT 3/4-16 UNF	1	1.0 - 12.0
66	5221044	COTTER PIN - 1/8 X 2 LG	1	1.0 - 12.0
67	5030715	O-RING	1	1.0 - 12.0
	3505051	CYLINDER SPACER SET	1	1.0 - 12.0

Figure: 12.0



FAST RETRACT ASSEMBLY FOR 12HH SWIVEL HEAD (REMOTE MOUNT)

ITEM	DESCRIPTION	QTY	PART #	FIGURE REF#
1	MOUNTING BRACKET	1	3506027	
2	0-3000 PSI GAUGE, 1/4" NPT BOTTOM PORT	1	5160508	
3	HOSE ASSEMBLY 5/8" ID X 32-1/2" OAL	2	3506035	
4	HOSE ASSEMBLY 5/8" ID X18" OAL	2	3506036	
5	MOUNTING PLATE	1	3506048	
6	GAUGE HOSE 3/8"ID X28" OAL	1	5160507	
7	MANIFOLD BLOCK, HYDRAULIC	1	2970080	
8	SHCS 3/8"-16 UNC X 5/8"	4	5160518	
9	#6 JICF TO #6 JICM, 45 DEGREE	1	5160609	
10	#8 ORBM TO #6 JICM (MALE/MALE)	1	5160670	
11	1/2" NPT X 3" LG PIPE NIPPLE	2	5160812	
12	QUICK DISCONNECT MALE #8	2	5203156	
13	QUICK DISCONNECT FEMALE #8	2	5203157	
14	90 DEGREE ELBOW - NPT-8 JIC -10	4	5290310	
15	#8 ORBM TO#8 NPTF	6	5160698	
16	SHCS 3/8"-24 UNF X3/4"	2	5103449	
	DUST PLUG 10-8 FEMALE	2	5201638	
	DUST CAP 10-8 MALE	2	5201639	
	MODIFIED CONTROL HANDLE	1	3506049	
	CONTROL VALVE LESS HANDLE	1	3506050	
	MALE PIPE 3/4" - MALE JIC 1/2"	1	5160500	
	#10 ORB PLUG	2	5160596	
	PIPE NIPPLE 3/4"X3"	1	5160850	
	HN 1/4"-20 UNC	1	5170604	
	3/4" NPT FLOW CONTROL	1	5202295	
	TEE - NPT- 12FNPT - 12	1	5290700	
	90 ELBOW - NPT- 12/FNPT - 12	1	5310042	

FAST RETRACT ASSEMBLY OPTIONS (REMOTE MOUNT)

ITEM	DESCRIPTION	QTY	PART #	FIGURE REF#
1	FAST RETRACT ASSEMBLY FOR 24" STROKE 12HH SW/HD	1	3506557R	
2	FAST RETRACT ASSEMBLY FOR 30" STROKE 12HH SW/HD	1	3506559R	
3	FAST RETRACT ASSEMBLY FOR 40" STROKE 12HH SW/HD	1	3508599R	

2225705

ENGINE GROUP DEUTZ F4L912

PART#	DESCRIPTION	QTY
5310018	FITTING	2
5311201	PIPE FITTING	3
5311202	PIPE ADAPTER	3
5230149	DEUTZ F4L912 DIESEL	1
5127603	5/8-11UNC X 7" LG HHCS	2
5160045	5/8 - 11 UNC HEX CAPSCREW	2
5170610	5/8-11UNC HEX NUT	8
5201979	HOSE CLAMP 6 1/2"-8 1/2"	2
2225443	MUFFLER GUARD (4 CYL DEUTZ)	1
5210709	PIPE NIPPLE	1
5201032	90 DEG ELBOW	1
2225400	HOSE ASSY	1
2225368	ENG MOUNTING BRACKET	1
2225156	HOSE-FUEL DRAIN	1
5201990	HYD HOSE SUPPORT CLAMP	1
5160117	M12 X 40 HEX BOLT G5	4
5180509	9/16 LOCKWASHER	4
2226148	ENGINE MOUNTING BRACKET	1
2226147	ENGINE MOUNTING BRACKET	1
5160104	M12 X 30 HEX BOLT	4
5180508	1/2 LOCKWASHER	8
2226150	MOUNTING PAD	2
2226130	SHOCK ABSORBING PAD	2

2226826

BBS25 DEUTZ DRIVE TRAIN

PART#	DESCRIPTION	QTY
2225280	T18 TRANSMISSION ASSEMBLY	1
5160108	M10 X 25 HEX BOLT	2
5180507	7/16 LOCKWASHER	2
5160119	CLUTCH BOLT	6
2226298	PILOT BEARING SLEEVE	1
5000155	BEARING	1
2226299	FLYWHEEL MODIFICATION 12"	1
5240022	12" DIA. STANDARD CLUTCH	1
5240023	CLUTCH RELEASE SLEEVE ASSY	1
5201954	SPRING	1
5202111	UNIVERSAL JOINT	1
5202082	COMPANION FLANGE	1
5160069	SELF LOCK NUT -SPECIAL	1
5180030	THRUST WASHER	1
2225193	GUARD	1
5102603	5/16-18UNC X 1" LG HHCS	2
5170605	5/16-18UNC HEX NUT	2
5180505	5/16 LOCKWASHER	2
5103403	3/8-16 UNC X 3/4" LG HHCS	1
5180506	3/8 LOCKWASHER	7

2247257 VARIABLE TACH DRIVE ASSY C/W MOUNT

PART#	DESCRIPTION	QTY
5240083	SPEEDOMETER DRIVE GEAR	1
5240075	SPEEDOMETER DRIVEN GEAR	1
5240076	SPEEDOMETER DRIVEN GEAR B	1
5250363	DRIVE TIP	1
5250361	TACH-SENDER 30' WIRE CONNECT	1
5250362	HARNESS C/W CONNECT	1
5250360	VARIABLE TACHOMETER	1
2247263	TACH.MTG CUP ASSEMBLY	1

3506822 HYDRAULIC COMPONENTS TO CHUCK

5160098	6 X 1/4 IN LONG U DRIVE SCREW	2
5330055	CHUCK CONTROL PLATE	1
5203299	DUST CAP - 6 (MALE)	1
5203120	QUICK DISCONNECT-6 (MALE)	1
5200078	1/2" STEEL PIPE PLUG	1
5201229	REDUCER - NPT/F-NPT	1
5290204	ADAPTER - NPT/JIC	1
5281445	HOSE ASSY 3/8 ID X 130"	1
5290207	ADAPTER - NPT/JIC	1
5203119	QD FEMALE #6 -SEAL KIT 29	1
5290662	90 ELBOW - NPT/NPT	1
5203298	DUST PLUG - 6 (FEMALE)	1

2225060

BBS-25 THROTTLE GROUP

PART#	DESCRIPTION	QTY
2117102	THROTTLE LEVER	1
2117103	THROTTLE FRICTION WASHER	1
2117104	THROTTLE SPRING	1
2225342	CABLE CLAMP MOUNT	1
2226133	THROTTLE CABLE BRACKET	1
2226224	THROTTLE CONTROL STOP	1
5102403	5/16"-18UNC X 3/4" HHCS	1
5114436	7/16"-20UNF X 2-1/2" HHCS	1
5160174	M8X25 HHCS	4
5170605	5/16" -18UNC HEX NUT	1
5171307	7/16"-20UNF HEX NUT - NYLOCK	1
5180207	7/16" REG FLAT WASHER	1
5202185	CLEVIS (THROTTLE CABLE)	2
5202186	CLAMP (THROTTLE CABLE)	2
5202404	THROTTLE CONTROL CABLE	1

2225083

BBS-25 ELECTRICAL GROUP

2212120	CABLE- BATTERY TO STARTER	1
2225387	BATTERY BOX	1
2225408	BATTERY GUARD	1
5103603	3/8"-16UNC x 1" HHCS	6
5123403	3/8" - 16UNC X 6" HHCS	2
5160166	M8 X 50 HEX BOLT	2
5170606	3/8"-16UNC HEX NUT	6
5180506	3/8" LOCKWASHER	6
5250018	GROUND STRAP	1
5250021	TWIST LOCK PLUG	2
5250224	BATTERY	1
5250279	RECEPTACLE BOX	1
5250398	DOUBLE TWISTLOCK RECEPTACLE	1

2226984

BASE DRILL CONTROL VALVE

PART#	DESCRIPTION	QTY
2226958	FOUR DETENT FLOAT VALVE	1
2226913	TIE ROD (SET OF 3) 3 SECTION	0
2226914	TIE ROD (SET OF 3) 4 SECTION	0
2226915	TIE ROD (SET OF 3) 5 SECTION	0
2226916	TIE ROD (SET OF 3) 6 SECTION	0
2226917	TIE ROD (SET OF 3) 7 SECTION	0
2226900	MODIFIED HANDLE KIT	1
2226910	VALVE SECT. (HYDRAULIC CHUCK)	1
2226925	MODIFIED HANDLE KIT	1
2226904	VALVE INLET COVER	1
2226905	VALVE OUTLET COVER	1
5171306	3/8' NF NYLON STOP NUT	6

2247015

CLUTCH CONTROL GROUP

5330023	INST PLATE FOR GEAR SHIFT	1
2117100	CLUTCH LEVER BBS-17A/25/3	1
2225171	CLUTCH SPRING BOLT	1
2220114	CLUTCH SPRING	1
5202090	ROD END	1
5160089	1/2-20 UNF L H HEX NUT	1
2217645	CLUTCH ROD	1
2225330	ADJUSTING NUT	1
2225108	CLUTCH QUADRANT	1
5202089	ROD END	1
5160074	1/2" SHOULDER SCREW X 5/8	2
5180506	3/8 LOCKWASHER	2
5115736	1/2-20 UNF X 3-1/4" LG HH	1
5180508	1/2 LOCKWASHER	1
5171008	1/2-20UNF HEX NUT	1
5170610	5/8-11UNC HEX NUT	2

2225085

BBS25 - BASIC HYDRAULIC GROUP

PART#	DESCRIPTION	QTY
2225359	HOSE ASSY 1 1/4 ID X 28'	1
2226324	BELT GUARD - F4L912	1
2247106	HOSE ASSY	1
2247109	HOSE ASSY	1
5290225	ADAPTER - NPT/JIC	1
5290300	90 ELBOW - NPT/JIC	1
5290706	TEE - F-NPT	1
5330006	PLATE	1
2225337	CRANKSHAFT EXTENSION	1
5050334	RETAINING RING	1
5051177	RETAINING RING	1
2225358	BEARING HOUSING	1
2225360	PUMP MOUNTING BRACKET	1
5115303	1/2-13UNC X 2-1/4" HHC	3
5180208	1/2 REG FLAT WASHER	8
5170608	1/2-13UNC HEX NUT	6
5105603	1/2-13UNC X 1" LG HHCS	2
5080828	1/2 SQUARE KEY x 1-3/4"	2
5115103	1/2-13UNC X 1-3/4" LG HHC	3
5103803	3/8-16UNC X 1-1/4" LG HHC	3
5180206	3/8 REG FLAT WASHER	3
5170606	3/8-16UNC HEX NUT	3
5160166	M8 X 50 HEX BOLT	8
5180505	5/16 LOCKWASHER	8
5202589	BUSHING	2
5202583	BELT SPROCKET 44 TOOTH	1
2225364	PUMP DRIVE SHAFT ADAPTER	1
5203053	HYDRAULIC PUMP 19 GPM	1

2225085

BBS25 - BASIC HYDRAULIC GROUP

PART#	DESCRIPTION	QTY
5201876	OIL FILTER ASSY	1
5103403	3/8-16 UNC X 3/4" LG HHCS	2
5180506	3/8 LOCKWASHER	2
5290316	90 ELBOW - NPT/JIC	1
5282083	HOSE ASSY 1-1/2 I.D. X 19	1
5290539	90 ELBOW - O-RING/JIC	1
2247151	PUMP DRAIN REDUCER	1
5290510	90 ELBOW - O-RING/JIC	1
2212195	HOSE ASSY 3/8 ID X 38" LG	1
5290709	CROSS - F-NPT	1
5290406	ELBOW 45 - NPT/JIC	1
5201988	HYD HOSE SUPPORT CLAMP	1
5290078	1/2 NPT PIPE PLUG	1
5211805	1/2 HVY B PIPE	1
5290414	ELBOW 45 - NPT/JIC	1
2247109	HOSE ASSY 1" ID X 58 1/2"	1
5290314	90 ELBOW - NPT/JIC	1
5290523	ADAPTER - F-NPT/O-RING	1
5290655	90 ELBOW - NPT/NPT	1
5290230	NIPPLE - F-NPT/F-JIC	1
5290701	CROSS-NPT(1)/F-NPT(3)	1
5290412	ELBOW 45 - NPT/JIC	1
5281243	HOSE ASSY 3/4 ID X 72" LG	1
5290312	90 ELBOW - NPT/JIC	1
5290313	90 ELBOW - NPT/JIC	1
2247109	HOSE ASSY 1" ID X 58 1/2"	1
5290414	ELBOW 45 - NPT/JIC	1
5330006	PLATE	1
5202584	BELT SPROCKET 56 TOOTH	1
5201182	BUSHING	1
5210202	3/8" NPT CLOSE NIPPLE	1
5203054	VALVE	1
5290307	90 ELBOW - NPT/JIC	1
5281559	HOSE ASSY 3/8 ID X 34" LG	1
5290206	ADAPTER - NPT/JIC	1
5202585	BELT	1
5000185	BEARING	2
2225338	SPACER	1

2225069

BBS25 HYDRAULIC TANK ASSEMBLY

PART#	DESCRIPTION	QTY
5170608	1/2"-13UNC HEX NUT	4
5210734	NIPPLE 1-1/2" NPT X 17"	1
5201278	OIL FILLER/BREATHER	1
5210216	3/8"X8" NPT NIPPLE	1
2910504	RETURN DIFUSER	1
5210316	NIPPLE	1
5203052	LEVEL TEMP GAUGE	1
5180508	1/2" LOCKWASHER	4
2225353	TANK CLAMP BAR	2
2225352	TANK CLAMPING STRAP	1
2217606	TANK COVER	1
5101403	1/4"-20UNC X 3/4" HHCS	10
5180504	1/4" LOCKWASHER	10
2217605	TANK COVER GASKET	1
2225397	HYD OIL TANK	1

2225086

BBS25 FUEL TANK ASSEMBLY

5170608	1/2"-13UNC HEX NUT	4
5311202	PIPE ADAPTER	2
5201278	OIL FILLER/BREATHER	1
6784550	1/4" FUEL LINE	8'
5180508	1/2" LOCKWASHER	4
2225353	TANK CLAMP BAR	2
2225352	TANK CLAMPING STRAP	1
2217604	FUEL TANK COVER	1
5101403	1/4"-20UNC X 3/4"HHCS	10
5180504	1/4" LOCKWASHER	10
2217605	TANK COVER GASKET	1
2225351	FUEL TANK	1

2226841

BBS25 FRAME ASSEMBLY

PART#	DESCRIPTION	QTY
1698769	SWIVEL CYL BRACKET SPECIAL	1
2225284	SKID RH	1
5170610	5/8"-11UNC HEX NUT	10
5180510	5/8" REG LOCK WASHER	10
5330022	BOYLES NAME PLATE	2
5117503	5/8"-11UNC X 2-3/4" HHCS	2
2225285	SKID LH	1
5118103	3/4" X 1-3/4" UNC SCREW	12
5180512	3/4" LOCKWASHER	12
5170612	3/4" - 10UNC HEX NUT	12
2226232	HOLD DOWN BRACKET	1
2226255	MOUNTING RAIL	2
2225327	RETURN FILTER BRACKET	1
5113003	3/8" - 16UNC X 1-1/2"	2
5170006	3/8"-16UNC HEX NUT	2
5112536	5/16"-24UNF X 2-3/4"	3
5180505	5/16" LOCK WASHER	3
5170605	5/16"-18UNC HEX NUT	3
2225457	HOLD DOWN BRACKET (LEFT)	1
2225185	FRAME LEG	3
2225186	SUB FRAME	1
5127503	5/8"-11UNC X 6-1/2"	2
5160145	5/8"-11UNC X 11"	6



**Diamond Drill Sales.
Parts. Service.**

GENUINE PARTS:

All of our products are genuine, original equipment manufacturer (OEM) parts that have not only met, but exceeded OEM specifications and can be shipped worldwide.

As your original equipment manufacturer for JKS/BBS Boyles surface exploration drills and parts, we are dedicated to providing you with incomparable quality. We understand the challenging conditions of the industry as well as the importance of time and safety, which is why we work with drillers to ensure JKS/BBS Boyles parts and equipment, always meet your needs.

www.bbsexploration.com

CONTACT:

BBS EXPLORATION

111 BANNISTER ROAD

WINNIPEG, MANITOBA R2R 0P2

TOLL FREE: 1-800-665-7665 (CAN/USA)

PHONE: 1-204-632-0639

FAX: 1-204-632-0171

EMAIL: info@bbsexploration.com

